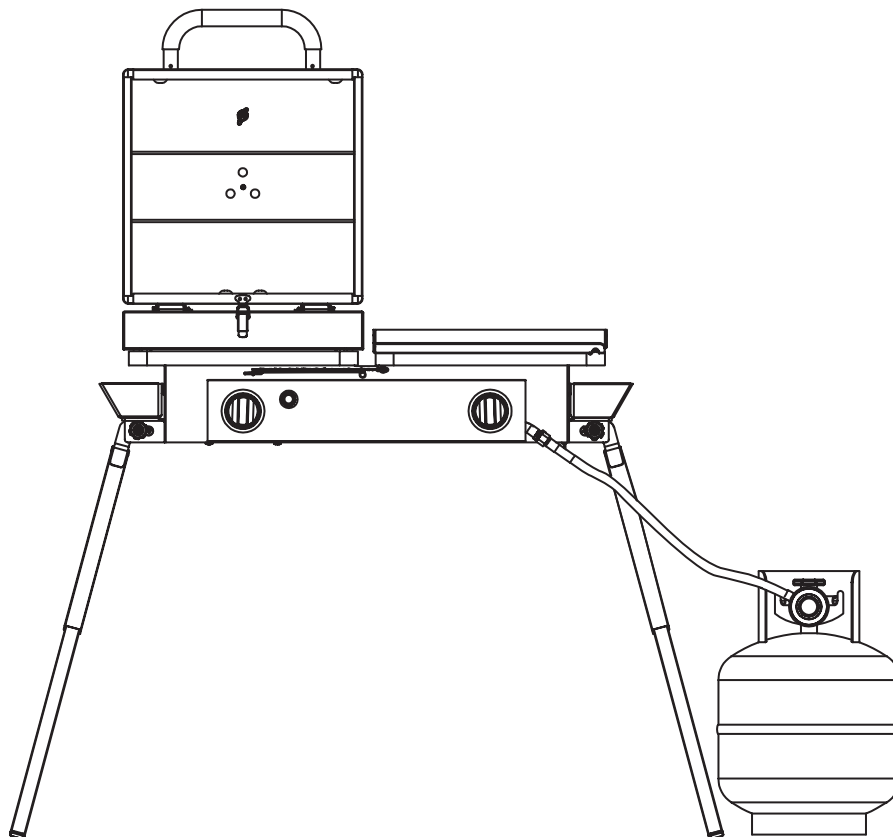


TAILGATER COMBO

Model 1555

CONFORMS TO ANSI Z21.89-2017 /
CERTIFIED TO CSA 1.18-2017 OUTDOOR
COOKING GAS APPLIANCES.





SAFETY ALERT KEY

Read and follow all the notices found throughout the manual.

⚠ DANGER

Indicates an imminently hazardous situation which, if not avoided, may result in death or serious injury.

⚠ WARNING

Indicates the possibility of serious bodily injury if the instructions are not followed.

⚠ CAUTION

Indicates a potentially hazardous situation which, if not avoided, may result in minor or moderate injury.

TAILGATER COMBO

Owner's Manual

It is the consumer's responsibility to see that the unit is properly assembled, installed, and maintained. Failure to follow the instructions in this manual could result in bodily injury and/or property damage.

Please read all sections of this manual carefully before assembly. Retain this manual for future reference.

CONTENTS

- 01. REGISTER YOUR PRODUCT 01**
- 02. FOR YOUR SAFETY 02**
 - Section 01. General Safety 02
 - Section 02. Griddle Safety Instructions 04
- 03. ASSEMBLY GUIDE 05**
- 04. CARE & MAINTENANCE 10**
 - Section 01. General Care 10
 - Section 02. Griddle Seasoning Instructions 12
 - Section 03. Cleaning the Burner Assembly 14
 - Section 04. Cleaning Your Griddle 16
- 05. FUEL | PROPANE – 20LB. TANK 18**
 - Section 01. 20lb. Liquid Propane Cylinder 18
 - Section 02. Connection & Removal 20
 - Section 03. Leak Test Instructions 22
- 06. IGNITION | BATTERY POWERED 24**
- 07. TROUBLESHOOTING 25**
 - Section 01. Battery Powered Ignition Troubleshooting 25
 - Section 02. Griddle Gas Flow 26
- 08. F.A.Q. 28**
- 09. WARRANTY 29**

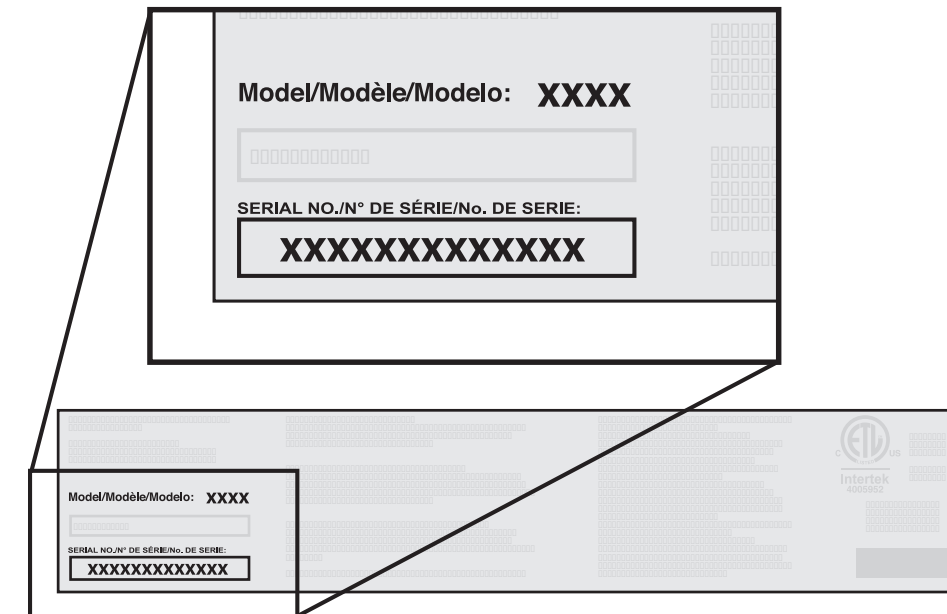
REGISTER YOUR PRODUCT

Registration allows our Customer Service Representatives to quickly provide assistance with your Blackstone product if needed.

The North Atlantic Imports LLC 1-Year Warranty covers replacement parts up to one year after the date of purchase. (Please reference the Warranty chapter for more information.) To enable this warranty, you will need to provide:

- Proof of Purchase/ Receipt/ Order Details
- Your Blackstone product's Serial Number
- Your Blackstone product's Model Number

Your Blackstone product's Serial and Model numbers can be found on your griddle's Origin Label. (The Origin Label is a large silver sticker found on the body of your appliance.)



Model Number _____

Serial Number _____

Date Purchased _____

Installer/Assembler:
Leave these instructions with consumer.

Consumer:
Keep this manual for future reference.

To register your Blackstone product, please go to blackstoneproducts.com/register-griddle



⚠ DANGER

IF GAS IS DETECTED:

1. Shut off gas to appliance.
2. Extinguish any open flame; do not operate any electrical appliances.
3. Ventilate area.
4. If odor continues, keep away from appliance and immediately call gas supplier or fire department.

⚠ DANGER

Units are for outdoor use only!

⚠ WARNING

DO NOT store or use gasoline or other flammable liquids or vapors in the vicinity of this or any other appliance.

⚠ WARNING

This product may expose you to chemicals including phthalates (DEHP), which are known to the State of California to cause cancer. For more information, go to www.P65Warnings.ca.gov.

FOR YOUR SAFETY

Before proceeding, make certain that you understand the FOR YOUR SAFETY section of this manual. Hazardous fire or explosion may result if instructions are ignored.

Section 01 GENERAL SAFETY

PRECAUTIONS

- Do not operate this appliance any closer than 36 inches from any combustible construction, including walls and ceilings.
- Do not use this appliance under overhead combustible surfaces.
- When not in use, turn OFF appliance by closing the LP cylinder.
- If regulator fails in unit, it must be replaced with a Blackstone approved model and must only be replaced by a professionally licensed, authorized dealer. Failure to comply will void the warranty.

If the information in the above statements is not followed exactly, serious injuries, fire, or death may occur.

INSTALLATION SAFETY

This appliance is safety certified for use in the United States and/or Canada only. Do not modify for use in any other location. Modification will result in a safety hazard and void warranty.

Use this appliance, as purchased, only with LP (propane) gas and regulator/valve assembly supplied.

This appliance is not for use inside an RV.

This appliance is not for use in or on a boat.

Appliance installation must conform with local codes, or in the absence of local codes, with either the National Fuel Gas Code, ANSI Z223.1/ NFPA 54, Natural Gas and Propane Installation Code, CSA B149.1, or Propane Storage and Handling Code, B149.2, or the Standard for Recreational Vehicles, ANSI A 119.2/NFPA 1192, and CSA Z240 RV Series, Recreational Vehicle Code, as applicable.

SAFETY TIPS

- Never move this appliance while in operation or still hot.
- Use long-handled barbecue utensils and oven mitts to protect against burns and splatters.

If grease or other hot material drips from appliance onto valve, hose or regulator:

01. Turn off gas supply immediately.
02. Determine the cause and correct it.
03. Clean and inspect valve, hose and regulator before continuing.

04. Perform a leak test. (Please reference the Leak Test Instructions section of the Fuel chapter.)

For problems with this appliance, please reference the Troubleshooting chapter.

FOOD SAFETY

Food safety is an important part of enjoying the outdoor cooking experience. To keep food safe from harmful bacteria, follow these four basic steps:

CLEAN: Wash hands, utensils, and surfaces with hot soapy water before and after handling raw meat and poultry.

SEPARATE: Separate raw meats and poultry from ready-to eat foods to avoid cross contamination. Use clean platter and utensils when removing cooked foods from appliance.

COOK: Cook meat and poultry thoroughly to kill bacteria. Use thermometer to ensure proper internal food temperatures.

CHILL: Refrigerate prepared foods and leftovers promptly.

For more information visit foodsafety.gov or Canadian Partnership for Consumer Food Safety Education online at befoodsafe.ca

HOW TO TELL IF MEAT IS COOKED THOROUGHLY

Meat and poultry cooked with this appliance often browns very fast on the outside.

Use a meat thermometer to be sure food has reached a safe internal temperature and cut into food to check for visual signs of doneness.

When reheating takeout foods or fully cooked meats like hot dogs, cook to 165° F/74°C, or until steaming hot.

⚠ WARNING

NEVER partially cook meat or poultry and finish cooking later. Cook food completely to destroy harmful bacteria.

MEAT COOKING TEMPERATURES



Poultry

165° F or 74°C
Juices should run clear and flesh should not be pink.

Beef or Poultry Hamburger

160° F or 71°C
Juices should not be pink and flesh should be brown in the middle.

Beef, Veal, & Lamb Steaks/Chops

145° F or 63°C

Beef, Veal, & Lamb Roasts

145° F or 63°C

ALL cuts of Pork

160° F or 71°C
Juices should not be pink.



WARNING

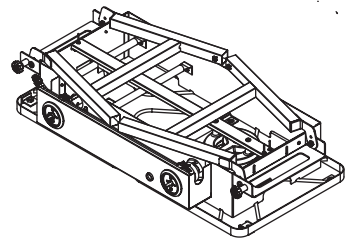
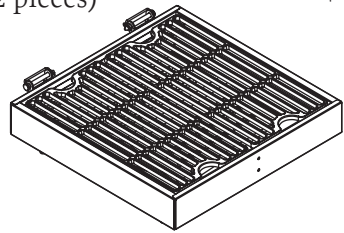
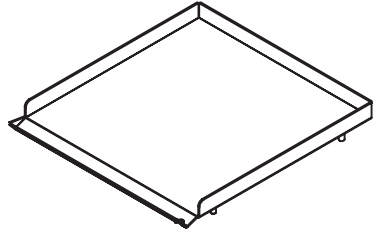
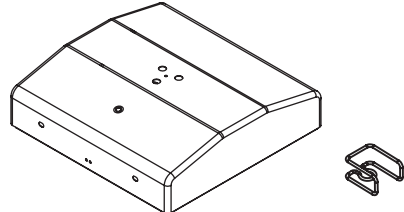
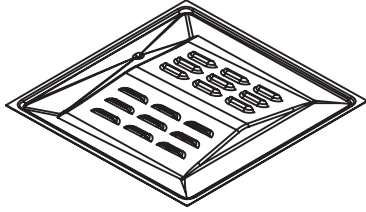
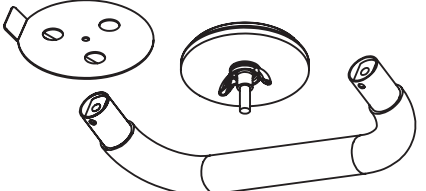
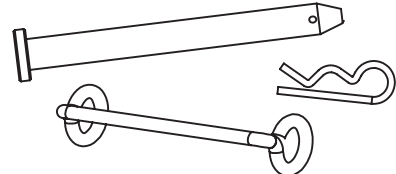
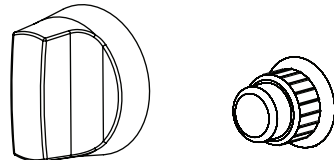
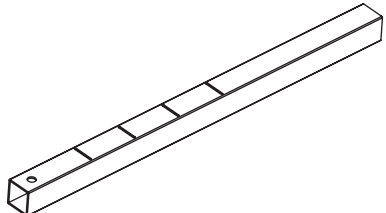
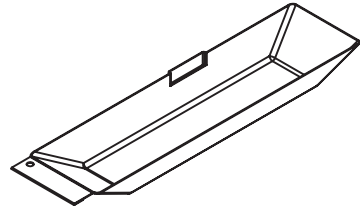
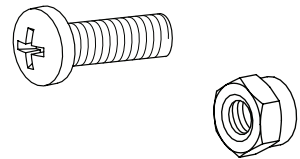
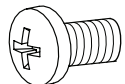
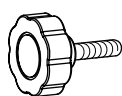
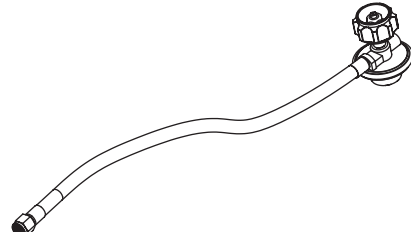

Adding a large amount of cold or frozen food (or food with significant water content) to a hot griddle may cause griddle to warp.

**Section 02
GRIDDLE SAFETY INSTRUCTIONS**

- Maximum weight on side shelf (if present) is 10 lbs.
- The grease tray must be removed and emptied after each use.
- Do not remove grease tray until griddle has completely cooled.
- Do not obstruct the flow of combustion and ventilation air.
- Clean griddle often, preferably after each use. (Please reference the Cleaning Your Griddle section of the Care & Maintenance chapter.)

ASSEMBLY GUIDE

ILLUSTRATED PARTS LIST

<p>01. Body (1 piece)</p> 	<p>02. Grill box (1 piece) & Grill grates (2 pieces)</p> 	<p>03. Griddle top (1 piece)</p> 
<p>04. Hood (1 piece) & Grill box clip (2 pieces)</p> 	<p>05. Flame tamper (1 piece)</p> 	<p>06. Air vent (1 piece) & Thermometer (1 piece) & Handle (1 piece)</p> 
<p>07. Hinge pin (2 pieces) & Pin clip (2 pieces) & Spacing ring (2 pieces)</p> 	<p>08. Control knob (2 pieces) & Ignition button (1 piece)</p> 	<p>09. Leg extensions (4 pieces)</p> 
<p>10. Grease cup (2 pieces)</p> 	<p>11. M4x12 Bolt (1 piece) & M6 Nut (2 pieces)</p> 	<p>12. M8x19 Bolt (2 pieces)</p> 
<p>13. Small thumbscrew (4 pieces)</p> 	<p>14. Regulator Hose (1 piece)</p> 	<p>NOT INCLUDED - 20Lb Propane Tank & AA Battery</p> 



WARNING

The manufacturer has made every effort to eliminate any sharp edges. However, you should handle all components with care to avoid accidental injury.

Some parts may contain sharp edges, especially as noted in these instructions. Wear protective gloves if necessary.

WARNING

The use of alcohol, prescription or non-prescription drugs may impair the consumer's ability to properly assemble or safely operate the appliance.

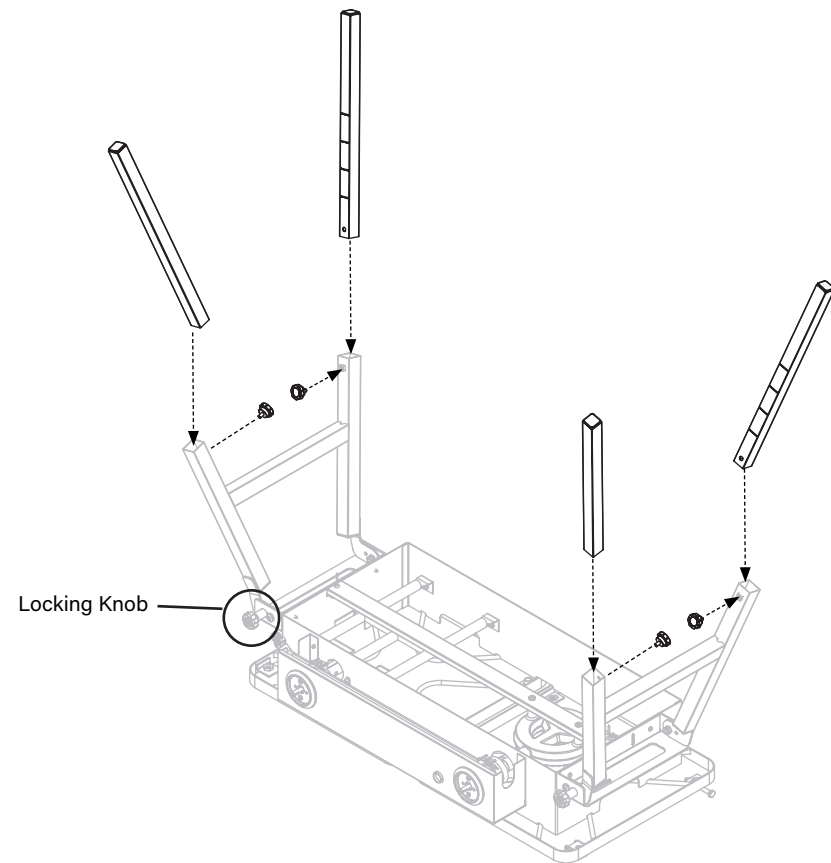
ASSEMBLY INSTRUCTIONS

Please read all instructions thoroughly before proceeding. Make sure all the plastic packing material is removed before assembling

Find a large, clean area to assemble your griddle. Please refer to the parts list and assembly diagrams as necessary.

Griddle assembly involves large components; therefore, **it is advised to have two people assemble the unit.**

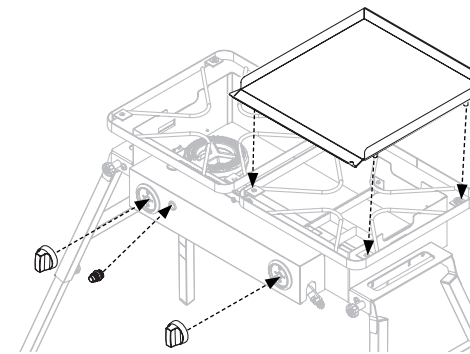
STEP 01 Place the griddle body on a smooth flat surface. Unfold the legs by pulling on the locking knob. Then attach the four (4) leg extensions to your desired height with four (4) thumbscrews, one on each leg.



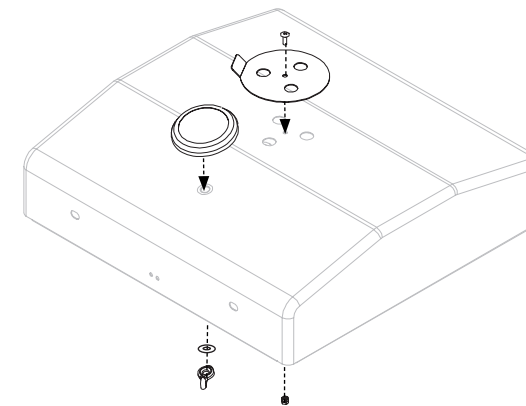
CAUTION

Two people are recommended for the assembly of this product.

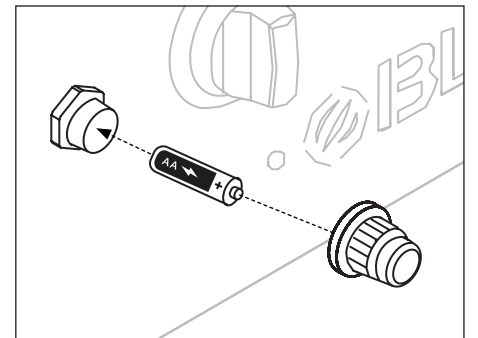
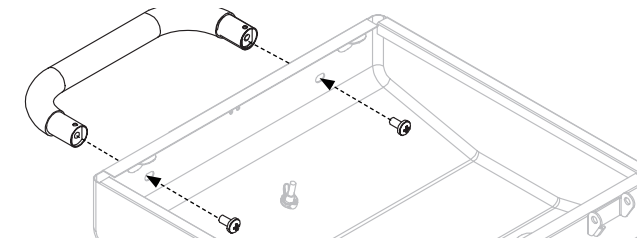
STEP 02 Place griddle upright. Attach the two (2) control knobs by pushing them onto the connections on the griddle body, screw on the ignition button, and place the griddle top onto left side of the body. The four feet on the bottom of the griddle top will fit into corresponding hole.



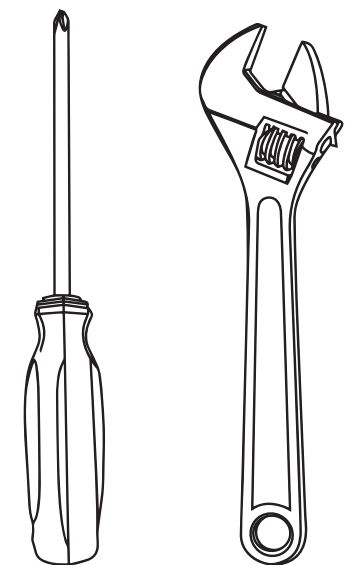
STEP 03 Add the thermometer by using the included wing nut screwed from the inside of the hood. Attach the air vent to the hood with one (1) M4X12 bolt from the top and secured with one (1) M4 nut from the inside.



STEP 04 Attach the handle to the hood with two (2) M8x19 bolts from the inside of the hood.



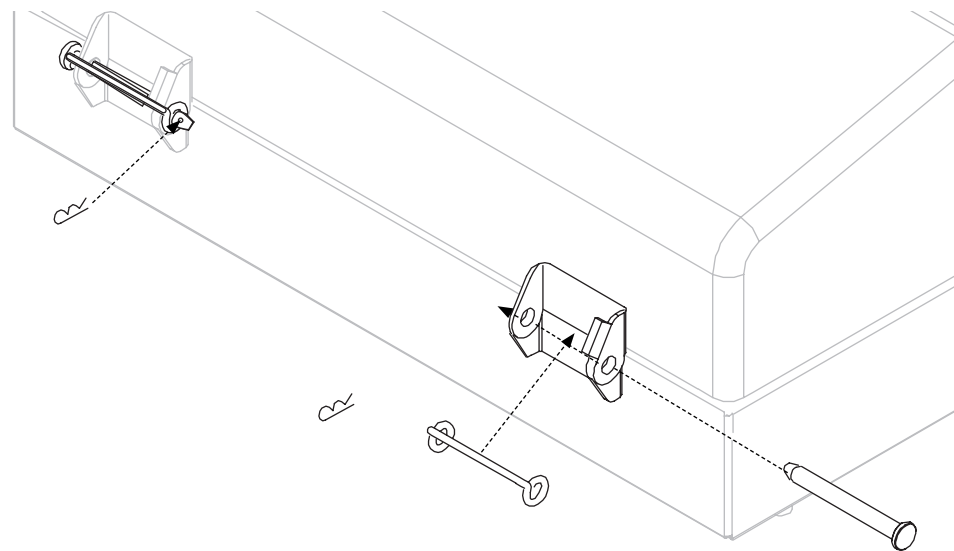
Insert one AA battery (not included) into the battery socket with the positive terminal facing out, then screw on the Ignition Button until tight. Be careful to not over tighten.



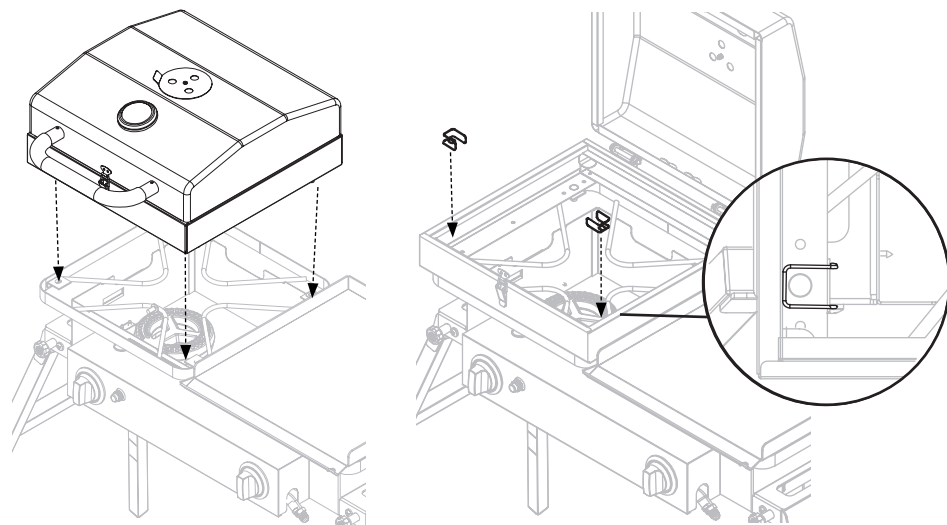
TOOLS NEEDED: Phillips Head Screwdriver & Adjustable Wrench



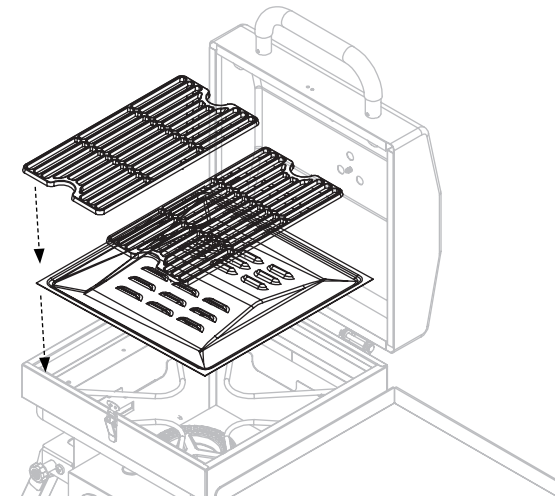
STEP 05 Connect the hood to the grill box by lining up the back hinges. Secure the hinges by inserting one (1) spacing pin over the outside of the hinge holes. Then push one (1) hinge pin through the holes in the hinge and spacing pin. The hinge pin will fit through the hinge holes and the holes in the spacing pin. Secure the hinge pin with one (1) pin clip. Repeat process on the other hinge.



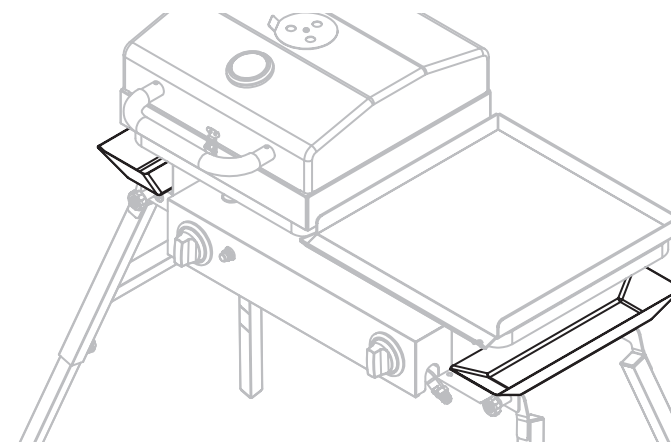
STEP 06 Place the assembled grill box onto the unit. Then, use two (2) grill box clips to secure the grill box to the unit.



STEP 07 Insert the flame tamper and the two (2) grill grates into the grill box.



STEP 08 Hang the grease cups on both sides of the unit directly below the grease runoff. Connect the 20lb propane tank (not included). (Please reference the Connection & Removal section of the Fuel | Propane – 20lb. Tank chapter.)



STEP 09 Proceed to the Griddle Seasoning Instructions section of the Care & Maintenance chapter. Enjoy cooking outdoors on your Blackstone Tailgater Combo!

NEED HELP? Register your Blackstone product at blackstoneproducts.com/register-griddle and contact Blackstone Customer Service for missing parts, assembly and operation questions:

PHONE:
435-252-3030 ext 1

EMAIL:
support@blackstoneproducts.com

ONLINE:
blackstoneproducts.com/customer-support



CARE & MAINTENANCE

Regularly clean your appliance between uses, especially after extended periods of storage. In order to extend the life and condition of unit, follow best practices detailed in this manual.

Section 01 GENERAL CARE

VALVE CHECK

Ensure gas is off at LP cylinder before checking valves. Knobs must be locked in OFF position.

01. To check valves, push in knobs and release. Knobs should spring back.
02. If knobs do not spring back, replace valve assembly before using appliance.
03. Rotate knobs to LOW position then turn back to OFF position. Knobs should turn smoothly.

FITTINGS & HOSES

Annual checking and tightening of metal fittings is recommended.

Before each use, check to see if hoses are cut or worn. Replace damaged hoses before using appliance. Use only Blackstone approved replacement parts for valve, hose, or regulator.

GENERAL CLEANING

Ensure that the appliance and its components are sufficiently cool before cleaning.

- Baked-on grease deposits may require the use of an abrasive plastic cleaning pad. Use only in direction of brushed finish to avoid damage.
- DO NOT use abrasive pad on areas with graphics.
- If a bristle brush is used to clean any of the oven cooking surfaces, ensure no loose bristles remain on cooking surfaces prior to cooking.

BURNER MAINTENANCE

In most circumstances, burning residue off after cooking will keep burner clean.

Burner should be removed and cleaned annually or whenever heavy build-up is found in order to ensure that there is no blockage in the burner portholes or venturi tubes.

Use pipe cleaner to clear obstructions. A wire brush may be used to remove corrosion from the burner surfaces. (Please reference the Cleaning the Burner Assembly section)

When refitting burner, check that the venturi tubes of the burner fit over valve outlets.

AFTER EACH USE

PLASTIC PARTS: Wash with warm soapy water and wipe dry.

PAINTED SURFACES: Wash with mild detergent or nonabrasive cleaner and warm soapy water. Wipe dry with soft nonabrasive cloth.

STAINLESS STEEL SURFACES: To maintain appliance frame's high quality appearance, wash with mild detergent and warm soapy water. Wipe dry with a soft cloth after each use.

STORAGE

- In order to extend and maintain the life and condition of your appliance, we strongly recommend that the unit be covered when left outside for any length of time, especially during the winter months.
- When LP cylinder is connected to appliance, store appliance outdoors in a well-ventilated space and out of reach of children. LP cylinder should only be stored outside, out of reach of children, and in a cool, dry place.
- Store appliance indoors ONLY if LP cylinder is turned off, disconnected, removed from appliance and stored outdoors.
- When removing appliance from storage, clean burner assembly before starting appliance. (Please reference the Cleaning the Burner Assembly section.)

⚠ DANGER

NEVER operate this appliance within 10ft (3.0 m) of any structure, combustible material or other gas cylinder. **NEVER** operate this appliance within 25ft (7.5 m) of any flammable liquid.

⚠ WARNING

The LP bottle/tank must be disconnected when the appliance is not in use and must not be stored in the vicinity of this or any other appliance.

⚠ WARNING

When not in use, turn unit controls and gas source OFF.

⚠ WARNING

This appliance will be hot during and after use. Use insulated oven mitts or gloves for protection from hot surfaces or splatter from cooking liquids.

⚠ CAUTION

NEVER handle hot parts with unprotected hands.

⚠ WARNING

This appliance is not intended for and should never be used as a heater.

⚠ WARNING

DO NOT leave appliance unattended. Keep children and pets away from appliance at all times.

⚠ WARNING

The use of alcohol, prescription or non-prescription drugs may impair the consumer's ability to properly assemble or safely operate the appliance.

⚠ CAUTION

For residential use only. **DO NOT** use for commercial cooking.

⚠ CAUTION

DO NOT use Citrisol, abrasive cleaners, de-greasers or a concentrated cleaner on plastic parts. **Damage to and failure of parts may result.**

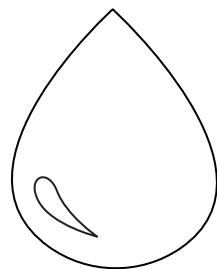
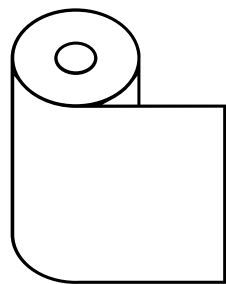
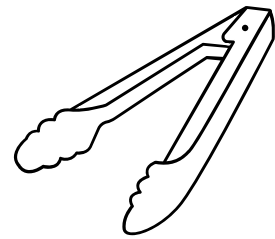


CAUTION

Small variations in manufacturing and raw materials can cause some griddles to be slightly warped. A slight warp will disappear when the griddle is heated in preparation for cooking.

Section 02 GRIDDLE SEASONING INSTRUCTIONS

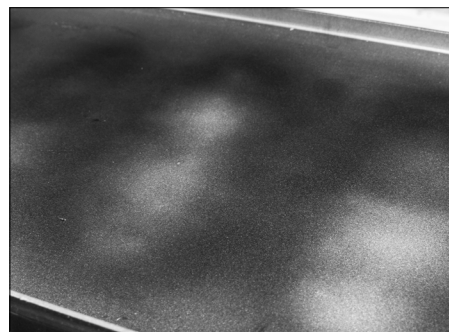
For best results, we recommended seasoning the griddle before cooking on griddle top.



TOOLS NEEDED: Cooking Tongs, Paper Towels, and Cooking Oil



STEP 01 Make sure griddle top is wiped clean of debris. (Please reference the Cleaning Your Griddle section)



STEP 02 Ignite griddle by following lighting instruction (Please reference the Ignition chapter). Turn all knobs to set burners to high. Wait for approximately 10–15 minutes until your griddle top starts to discolor.



STEP 03 Pour a light amount of cooking oil on griddle top. Any cooking oil will work. The amount of oil used depends on the size of griddle (refer to the measurement chart).



STEP 04 Use cooking tongs or heat resistant gloves to hold folded paper towels. Spread the cooking oil over surface of griddle top using the paper towels. Be sure to cover every part of griddle top, including corners and sides.



STEP 05 Once your griddle is covered with a thin layer of oil, allow griddle to heat on high. Smoking will occur as the oil begins to bond with the surface of griddle top, creating a stick-resistant surface.



STEP 06 When griddle top has stopped smoking and there isn't a noticeable amount of sheen, repeat steps 3–5 at least three times.

After repeating the seasoning steps, griddle top may not appear to be completely black. To achieve a dark surface, start cooking on your griddle top. This will create a nicely seasoned griddle top.

Follow proper griddle storing practices to maintain seasoned cooking surface. (Please reference the General Care section.)

PLEASE NOTE: Blackstone griddle tops are pre-treated with soy oil as a protective coating. This coating may leave a discoloration on the griddle top. This is normal and will not affect the seasoning process.

HOW MUCH OIL?

1 Tbsp. of Oil

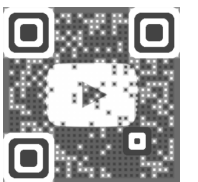
- All 17" and 22" Griddles

2 Tbsp. of Oil

- All 28" Griddles

3 Tbsp. of Oil

- All 36" Griddles



WATCH TUTORIAL. Scan QR code to check out our griddle seasoning video on our YouTube channel or visit: youtube.com/blackstonegriddles



Section 03

CLEANING THE BURNER ASSEMBLY

Unit burners vary, however these instructions apply to all units. Clean burner assembly and check burner for damage. If any large cracks or holes are found, replace burner.

STEP 01 Turn gas OFF at control knobs and LP cylinder. Remove griddle top.



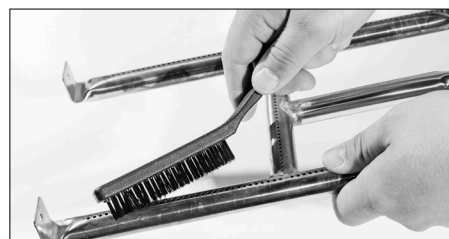
STEP 02 Carefully detach and remove the burner.



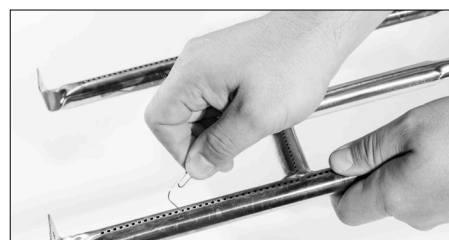
STEP 03 Run a narrow bottle brush through each burner tube several times. (Do not use wire brushes)

Additional Methods Include:

- a** Run a stiff wire bent into a small hook through each burner tube several times.
- b** Use an air hose to force air into burner tube and out burner ports. Check that air blows through each hole. (Wear eye protection)



STEP 04 Brush entire outer surface of burner to remove grime.



STEP 05 Clean any blocked ports with stiff wire such as an open paper clip. Then, carefully replace burners and reattach. Burner tubes must be reengaged with the valve openings.



BURNER FLAME CHECK

01. Light burners and rotate knobs from high to low. When knob is at high, flames should be larger than when knob is at low.
02. Perform burner flame check by looking below griddle top on the side of unit to view burners below.
03. Always check burner flame before use.

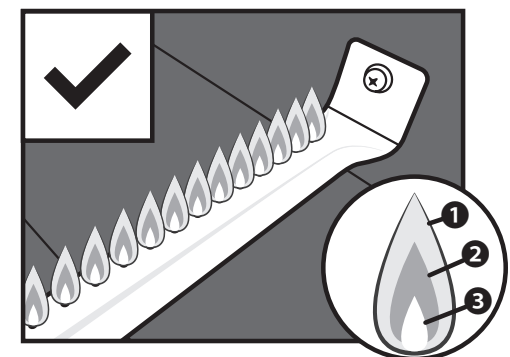
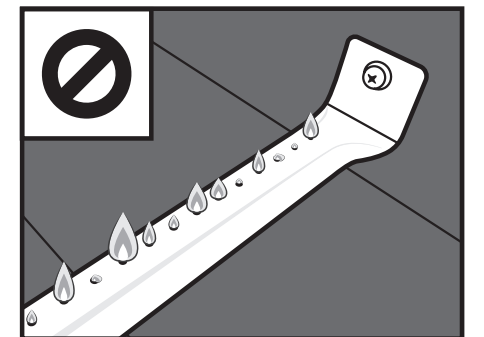
If there is a sudden drop or low flame issue, please reference the Troubleshooting chapter.

For additional support, see [youtube.com/blackstonegriddles](https://www.youtube.com/blackstonegriddles)

MATCH LIGHTING INSTRUCTIONS

Before beginning, if your unit uses a 20lb. Propane Tank, check for gas leaks. (Please reference the Leak Test Instructions section of the Fuel | Propane - 20lb. Tank chapter.)

01. Ensure control knob is in OFF position.
02. Remove griddle top.
03. Light a match (or long lighter) no shorter than 11 inches long. Place the flame on the right or left side of the burner.
04. Push in and turn the control knob to the HIGH position. Ensure burner lights and stays lit.



Healthy flames might have a few flickers of yellow color **1**, then a dark blue color **2**, followed by a vibrant blue by the burner tube **3**.



⚠ DANGER

DO NOT place flammable items on side shelves near the griddle. Aerosol containers are particularly hazardous because **they can overheat and result in an explosion, fire, severe personal injury, or death.**

⚠ WARNING

DO NOT leave griddle unattended while preheating or burning off food residue. If griddle has not been regularly cleaned, a grease fire can occur that may cause serious injury or property damage.

⚠ WARNING

DO NOT place oily or greasy towels near the griddle unit as they can spontaneously combust.

Section 04 CLEANING YOUR GRIDDLE

STORING YOUR GRIDDLE

Store griddle in a cool, dry location. Always cover griddle if stored outdoors. Choose from a variety of griddle covers offered by Blackstone.

When protecting griddle with soft cover, use the “tenting” method to prevent water from accumulating on griddle top. “Tenting” involves placing an object (a bowl, tennis ball or PVC pipe) beneath soft cover in the center of griddle in order to allow water to slide off. “Tenting” helps prevent rust.

FIRST TIME CLEANING

GRIDDLE COOKING SURFACE: Blackstone Griddles are pre-treated with cooking oil to prevent rust and damage during shipping. For first time use, wash griddle with hot, soapy water.

THIS IS THE ONLY TIME YOU SHOULD USE SOAP ON THE GRIDDLE COOKING SURFACE.

Rinse and dry completely. Proceed with seasoning instructions. (Please reference the Griddle Seasoning Instructions section)

TURNING GRIDDLE OFF

Turn all knobs to OFF position. Turn LP cylinder OFF by turning hand-wheel clockwise to a full stop.

CLEANING THE GRIDDLE COOKING SURFACE



STEP 01 To clean griddle after each use, cool griddle below 300° F. Scrape food debris with spatula or straight metal scraper.



STEP 02 Wipe down griddle surface with paper towel.



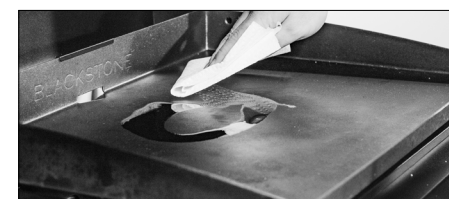
STEP 03 Divide griddle surface into approximately 6" sections (width of scraper tool). Apply a small amount of water onto first section with a bottle and then scrape the water and debris toward the grease trap. Move to the next 6" section and repeat.

DO NOT USE MORE THAN TWO TABLESPOONS OF WATER AT A TIME.

1/4 cup of table salt may be used to buff off stuck food residue.



STEP 04 Wipe again with a paper towel and dry completely.



STEP 05 Apply thin coat of cooking oil to maintain seasoning and protect the griddle top.

⚠ WARNING

NEVER APPLY COLD WATER ACROSS THE WHOLE SURFACE OF A HOT GRIDDLE AT ONCE. This may cause warping.

⚠ CAUTION

DO NOT USE SOAP ON THE GRIDDLE COOKING SURFACE. This will destroy the griddle's seasoning.

NEED HELP? Register your Blackstone product at blackstoneproducts.com/register-griddle and contact Blackstone Customer Service for missing parts, assembly and operation questions:

PHONE:
435-252-3030 ext 1

EMAIL:
support@blackstoneproducts.com

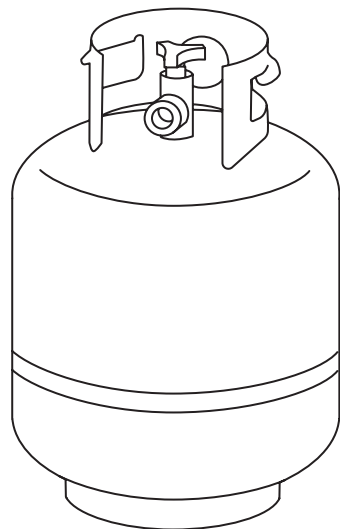
ONLINE:
blackstoneproducts.com/customer-support



⚠ WARNING

Fuels used in liquefied propane gas appliances, and the products of combustion of such fuels, can expose you to chemicals including benzene, which is known to the State of California to cause cancer and cause birth defects or other reproductive harm.

For more information go to www.P65Warnings.ca.gov.



FUEL | PROPANE - 20LB. TANK

Section 01 20LB. LIQUID PROPANE CYLINDER

LP (LIQUEFIED PETROLEUM GAS)

LP gas is nontoxic, odorless and colorless when produced. For safety and easy detection, LP gas has been given an odor similar to rotten cabbage.

LP gas is highly flammable and may ignite unexpectedly when mixed with air.

20LB. LIQUID PROPANE CYLINDER REQUIREMENTS

- Check to be sure that cylinders have a D.O.T. Certification and that they have been date tested by a LP gas supplier within five years of use.
- All LP tank supply systems must include a collar to protect the cylinder valve.
- Use only a 18 x 12 inch, 20lb LP cylinder.

- The cylinder must be constructed and marked in accordance with the Specifications for LP - Gas Cylinders of the U.S. Department of Transportation (D.O.T.) or the National Standard of Canada, CAN/CSA-B339, Cylinders, Spheres, and Tubes or Transportation of Dangerous Goods; and Commission, as applicable.

CANADIAN LIQUID PROPANE CYLINDER REQUIREMENTS

- The LP cylinder must be constructed and marked in accordance with the specifications for LP gas cylinders, T.C.



⚠ DANGER

- **NEVER** store a spare LP cylinder/bottle under or near the appliance or in an enclosed area.
- **NEVER** fill a LP cylinder/ bottle beyond 80% full.
- **DO NOT** store an LP tank/ bottle in an area where children play.
- **NEVER** leave an LP tank/ bottle inside a vehicle which may become overheated by the sun.

If the information above is not followed exactly, a fire causing death or serious injury may occur.

An overfilled or improperly stored cylinder is a hazard due to possible gas release from the safety relief valve. This could cause intense fire with risk of property damage, serious injury or death.

If you see, smell or hear gas escaping, immediately get away from the LP cylinder and appliance and call fire department.

20LB. LP TANK

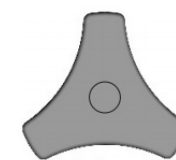
The 20 lb. LP Tank used with your griddle must meet the following requirements:

LP Tanks must be constructed and marked in accordance with specifications for LP Tanks of the U.S. Department of Transportation (DOT) or for Canada, CAN/CSA-B339, tanks, spheres and tubes for transportation of dangerous goods. Transport Canada (TC).

See LP Tank collar for marking.

LP Tank valve must have:

- Type 1 outlet compatible with regulator of appliance.
- Safety relief valve.
- UL listed Overfill Protection Device (OPD). This OPD safety feature is identified by a unique triangular hand wheel. Use only LP Tanks equipped with this type of valve.



OPD Hand Wheel

- LP Tank must be arranged for vapor withdrawal and include collar to protect LP Tank valve.

Always keep new and exchanged LP Tanks in upright position during use, transit or storage.

LP TANK FILLING

Use only licensed and experienced dealers. LP dealer must purge new tank before filling.

Volume of propane in tank will vary by temperature. A frosty regulator indicates gas overfill. Immediately close LP Tank valve and call local LP gas dealer for assistance.

Do not release liquid propane (LP) gas into the atmosphere.

To remove gas from LP Tank, contact a certified LP dealer or local fire department for assistance.

LP TANK EXCHANGE

Leak test new and exchanged LP tanks BEFORE connecting to griddle. Please reference the Leak Test Instructions section.

Many retailers offer the option of replacing empty LP tanks through an exchange service.

Use only those reputable exchange companies that inspect, precision fill, test and certify their tanks.

Exchange tank only for an OPD safety feature-equipped tank.

Place dust cap on cylinder valve outlet whenever the cylinder is not in use.

Only install the type of dust cap on the cylinder valve outlet that is provided with the cylinder valve.

Other types of caps or plugs may result in leakage of propane.

PLEASE NOTE: Your retailer can help you match a replacement tank to your griddle.



⚠ DANGER

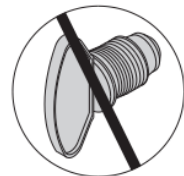
Do not insert any tool or foreign objects into the valve outlet or safety relief valve. The valve may be damaged resulting in a leak. **Leaking propane may result in explosion, fire, severe personal injury, or death.**

If a leak is detected at any time, STOP and call the fire department.

If unable to stop a gas leak, immediately close LP tank valve and immediately contact an LP gas supplier or fire department.

⚠ WARNING

Do not insert a POL transport plug (plastic part with external threads) into the Type 1 tank valve outlet. It will defeat the Safety Relief Valve feature.

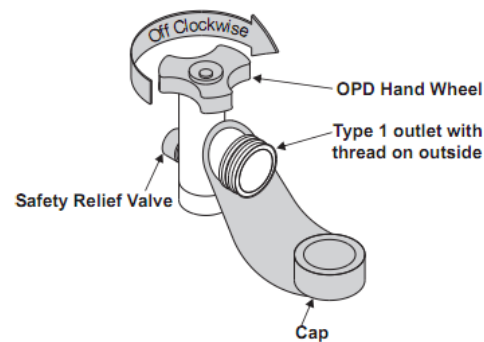


**Section 02
CONNECTION & REMOVAL**

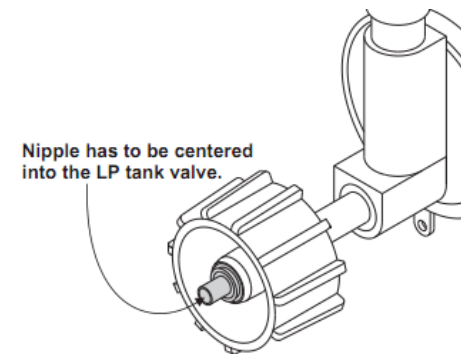
**CONNECTING THE
REGULATOR TO THE
20LB. LP TANK**

Leak test new and exchanged LP tanks BEFORE connecting to griddle. Please reference the Leak Test Instructions section.

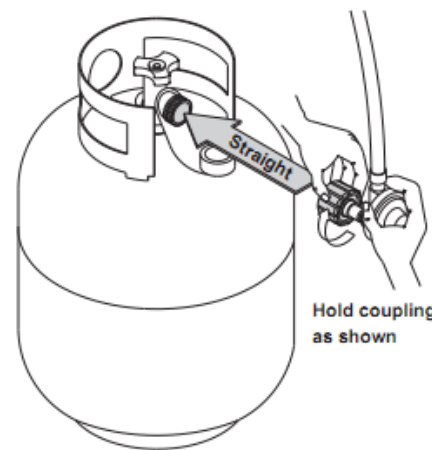
01. LP tank must be properly secured to griddle. (Refer to assembly section.)
02. Turn all control knobs to the OFF position.
03. Turn LP tank OFF by turning OPD hand wheel clockwise to a full stop.
04. Remove protective cap from LP tank valve.



05. Hold regulator and insert nipple into LP tank valve.



06. Hand-tighten the coupling nut, holding regulator in a straight line (see figure below) with LP tank valve so as not to cross thread the connection.



07. Turn the coupling nut clockwise and tighten to a full stop. The regulator will seal on the back-check feature in the LP tank valve, resulting in some resistance.
08. An additional one-half to three-quarters turn is required to complete the connection. Tighten by hand only – do not use tools.

NOTE: If connection cannot be completed, disconnect regulator and repeat steps 5 and 6.

If still unable to complete connection, do not use this regulator!

Call **435-252-3030 ext 1** for identical replacement parts.

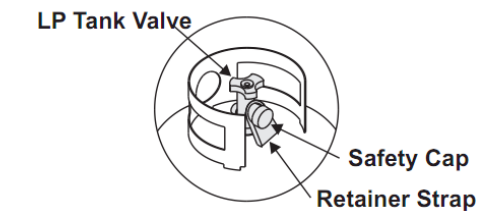
**20LB. LP TANK
REMOVAL FOR
TRANSPORT OR
STORAGE**

01. Turn OFF all control knobs and LP tank valve.
02. Turn coupling nut counter-clockwise by hand only. Do not use tools to disconnect.
03. Lift LP tank up and off of support bracket.
04. Install safety cap onto LP tank valve.

Always use cap and strap supplied with valve.

Failure to use safety cap as directed may result in serious personal injury and/or property damage.

A disconnected LP tank in storage or during transportation must have a safety cap installed (as shown).



⚠ WARNING

Never attempt to attach this griddle to the self-contained LP gas system of a camper trailer, recreational vehicle or motor home.

Do not use the LP Tank until it has been leak-tested.



⚠ WARNING

If "growing" bubbles appear during leak test, do not use or move the LP bottle. Immediately contact an LP gas supplier or fire department.

⚠ CAUTION

DO NOT USE HOUSEHOLD CLEANING AGENTS. Damage to gas valve, hose, and regulator components may result.

FIGURE 01

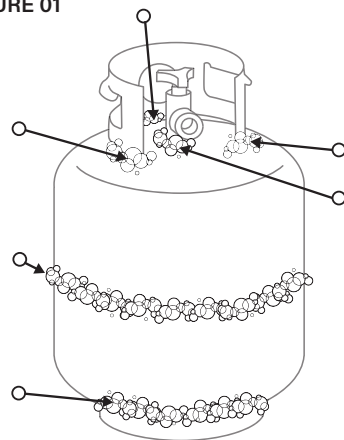
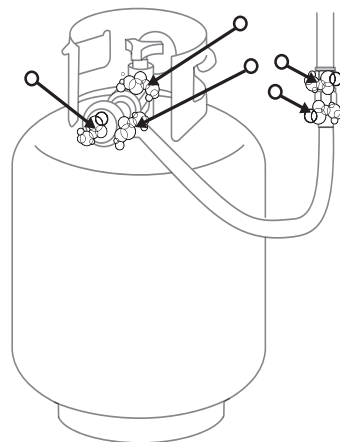


FIGURE 02



Section 03

LEAK TEST INSTRUCTIONS

LEAK TEST SAFETY

- Leak test must be repeated each time LP tank is exchanged or refilled.
- Do not smoke during leak test.
- Do not use an open flame to check for gas leaks.
- Griddle must be leak tested outdoors in a well-ventilated area, away from ignition sources such as gas fired or electrical appliances.
- During leak test, keep griddle away from open flames or sparks.

16.4OZ. LP TANK LEAK TEST

01. Use a clean paintbrush and a 10/90 mild soap and water solution.
02. Brush soapy solution onto joint areas of tank. (Indicated by arrows in figure 01.)
03. Leaks are indicated by growing bubbles.

LEAK TESTING VALVES, HOSE & REGULATOR

01. Turn all griddle control knobs OFF.
02. Be sure regulator is tightly connected to LP tank.
03. Completely open LP tank valve by turning OPD hand wheel counterclockwise.

If you hear a rushing sound, turn gas off immediately. There is a major leak at the connection. Correct before proceeding. Call for replacement parts **435-252-3030 ext 1.**

04. Brush soapy solution onto areas where bubbles are shown in figure 02.

If "growing" bubbles appear, there is a leak. Close LP tank valve immediately and re-tighten connections. If leaks cannot be stopped **DO NOT TRY TO REPAIR.** Call for replacement parts at **435-252-3030 ext 1.**

05. Always close LP bottle valve after performing leak test by turning hand wheel clockwise.



⚠ WARNING

Do not lean over griddle while lighting.

⚠ WARNING

If ignition does NOT occur in 5 seconds, turn burner controls OFF, wait 5 minutes and repeat lighting procedure.

If burner does not ignite with open valve, gas will continue to flow out of burner and could accidentally/inadvertently ignite with risk of injury.

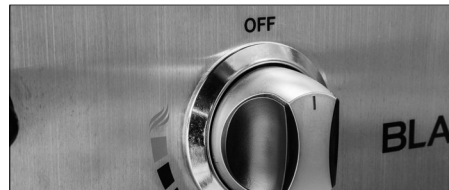
IGNITION | BATTERY POWERED

GRIDDLE OPERATING INSTRUCTIONS

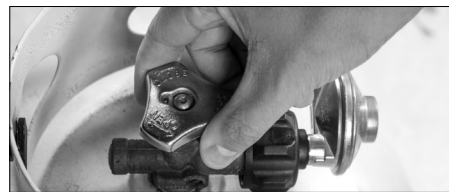
For proper ignition and operation of the griddle follow the steps below.



STEP 01 In order for the igniter switch to work properly, please make sure battery is correctly installed.



STEP 02 Turn OFF gas burner control knobs.



STEP 03 Turn gas ON at LP cylinder by taking 20 seconds to turn knob halfway.



STEP 04 To ignite, push and turn IGNITION BURNER knob to MAX.



STEP 05 Push and hold ELECTRONIC IGNITION button until IGNITION BURNER lights.



STEP 06 To ignite remaining burners, turn each burner knob in sequence to MAX position. Start with burner closest to IGNITION NEEDLE.

TROUBLESHOOTING

Section 01

BATTERY POWERED IGNITION TROUBLESHOOTING

SYMPTOMS

01. Burner will not Light with ignition system
02. Pressing the ignition button does not result in a clicking sound

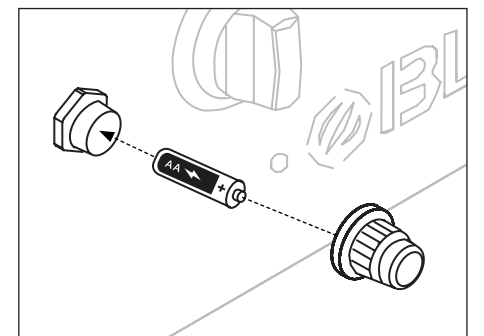
To determine the cause, please try to ignite your griddle with a match. (Please reference the Match Lighting Instructions in the Cleaning the Burner Assembly section of the Care & Maintenance chapter.)

If you CAN ignite your griddle with a match

POSSIBLE CAUSES	SOLUTION
01. Dead battery or no battery.	Replace with new battery.
02. Battery installed incorrectly.	Ensure that the battery is installed negative end first.
03. Igniter wire misaligned.	Ensure that the igniter wire is positioned 1/8" to 1/4" away from the burner tube, positioned above a burner hole.
04. Damage to the ignition system.	Contact customer service for replacement parts.

If you CAN NOT ignite your griddle with a match

POSSIBLE CAUSES	SOLUTION
05. Burner tubes are not receiving propane.	Please reference the Gas Flow section of the Troubleshooting Chapter.



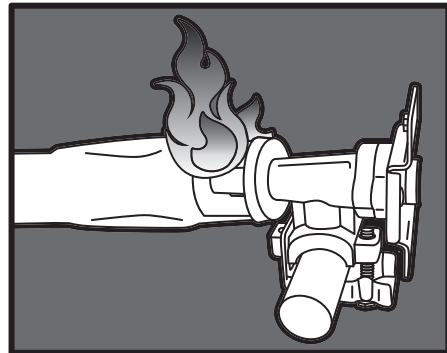
Insert one AA battery (not included) into the battery socket with the positive terminal facing out, then screw on the Ignition Button until tight. Be careful to not over tighten.



Section 02 GRIDDLE GAS FLOW

SYMPTOMS

- 01. A flame is coming out of the air gate.



POSSIBLE CAUSES

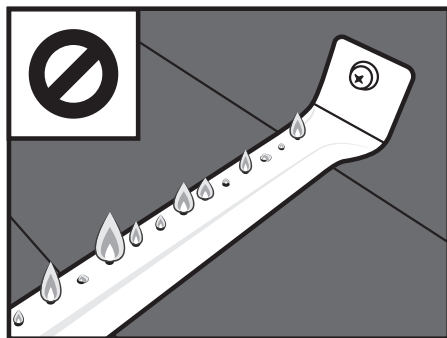
- 01. Something is blocking the venturi in the burner tube. This is not allowing the propane to flow through the burner, causing the flame to back out the air gate.

SOLUTION

Clean the burner assembly to remove the obstruction. (Please reference the Cleaning Your Griddle section of the Care & Maintenance chapter.)

SYMPTOMS

- 01. Burner flames are yellow or irregular.

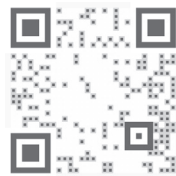


POSSIBLE CAUSES

- 01. Something is blocking the air gate for the burner. This is blocking oxygen from mixing with the propane correctly to get healthy flames.

SOLUTION

Check the air gates in your burner. If you have adjustable air shutters over your air gates, make sure that they are completely open. If your burners have bug shields, clean any spider webs, soot, or debris off the bug shield. Clean any other obstructions out of air gates.



TECHNICAL SUPPORT. Scan QR code for more videos or visit the Blackstone YouTube channel at [youtube.com/blackstonegriddles](https://www.youtube.com/blackstonegriddles)



SYMPTOMS

- 01. Griddle will not achieve a high heat or heats unevenly.
- 02. Burner flames start strong, then immediately drop to low even when burner is set to high position.
- 03. Flame height drops when a second burner is lit.
- 04. Flames do not extend the full length of the burner, or only run on one side of the burner.
- 05. Burner flames are inconsistent.

POSSIBLE CAUSES

- 01. United States regulations require that all griddle regulators contain a flow limiting device for consumer safety. This device measures the amount of propane going through the regulator to ensure the levels are safe. If the flow rate through the regulator is too high (a symptom of a large leak), the flow limiting device will trigger, restricting the flow of propane to reduce the chance of a dangerous fire. This safety system can accidentally be tripped by opening a propane tank too quickly or opening the propane tank when a burner knob is not in the off position.

SOLUTION

This safety system can be reset by moving the burner knobs to the off position, closing the propane tank, and disconnecting the regulator from the propane tank. Wait five minutes to allow the pressure to dissipate, then reconnect the regulator to the propane tank and slowly open the tank (it should take a full 30 seconds to open half a turn). Ignite your griddle as described in the Care & Maintenance chapter.

- 02. LP gas cylinder is empty or low.

Refill or replace the propane tank.

- 03. Obstructions in the burner, gas jets, or fuel rail.

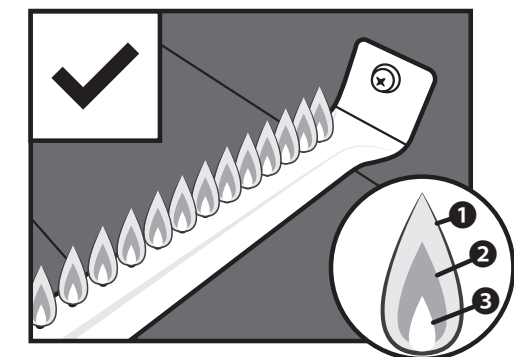
Clean the burner, jets, and gas hose. (Please reference the Cleaning Your Griddle section of the Care & Maintenance chapter.)

- 04. Regulator stuck in safety position.

Contact customer service for replacement parts.

BURNER FLAME PATTERN

Your griddle's burners are designed to mix oxygen and propane at a rate that allows for optimal flames. Should the burner's holes, air gate, or venturi get blocked, it will affect the propane and air mixture, causing low or inconsistent flames, or flames coming from the air gate.



Healthy flames might have a few flickers of yellow color **1**, then a dark blue color **2**, followed by a vibrant blue by the burner tube **3**.



CAUTION

Small variations in manufacturing and raw materials can cause some griddles to be slightly warped. A slight warp will disappear when the griddle is heated in preparation for cooking.

F.A.Q.

Q. What types of cooking oils can I use to season my griddle?

A. We recommend the following oils for seasoning purposes: olive oil, vegetable oil, canola oil, coconut oil, flax seed oil and sesame oil. (Please reference the Griddle Seasoning Instructions section of the Care & Maintenance chapter.)

Q. Can I use dish detergent to clean my griddle?

A. Grease cutting dish detergents will erase the seasoning on the griddle and should not be used after griddle is seasoned. For tough spots use table salt and hot water and always coat with a thin layer of oil once you are finished cleaning. (For griddle cleaning instructions, please reference the Cleaning Your Griddle section of the Care & Maintenance chapter.)

Q. Why does my griddle surface look dull and dry instead of shiny and black?

A. Seasoning is a continuous process. Over time and the more often you use your griddle top, the more shiny, black and non-stick it will become.

Q: Can I cut directly on the griddle top?

A: Yes, you can. Cutting on the griddle top will not harm it.

Q. What if my griddle starts to rust?

A. If rust appears on the griddle surface, rub it off with steel wool or low grit sandpaper and re-season the surface ([youtube.com/watch?v=thPE2lgnSil](https://www.youtube.com/watch?v=thPE2lgnSil)). Take care to always completely dry your griddle before storing and keep away from rain and sprinklers. It is also important to keep your griddle covered. (For proper storage techniques, please reference the General Care section of the Care & Maintenance chapter.)

CUSTOMERS IN HUMID OR COASTAL CLIMATES MAY REQUIRE MORE FREQUENT SEASONINGS AND THE USE OF HEAVIER COOKING OILS TO AVOID RUSTING AND CORROSION.

For more FAQ's visit blackstoneproducts.com/faq

OUR CUSTOMER SERVICE STAFF IS HERE TO HELP YOU!

For questions regarding your Blackstone product, or if you need replacement parts, please register your griddle at blackstoneproducts.com/register-griddle and contact us at:

PHONE:
435-252-3030 ext 1

EMAIL:
support@blackstoneproducts.com

ONLINE:
blackstoneproducts.com/customer-support

We are pleased to help you with any questions concerning griddle use, replacement parts, or your warranty.

Our customer service staff can be reached Monday through Friday from 7:00 am to 5:00 pm Mountain Standard Time.

NORTH ATLANTIC IMPORTS LLC 1-YEAR WARRANTY

North Atlantic Imports, the manufacturer, will warranty for one year from purchase all parts, workmanship, and finishes. It will be the manufacturer's option as to whether to repair or replace any of the above items. All warranties are limited to the original purchaser only. This warranty does not cover any liability on the part of North Atlantic Imports, its agents or employees, for any indirect or consequential damages for breach of warranty. The purchaser must follow the manufacturer's usage instructions.

Under no circumstances is the manufacturer responsible for damages from the failure to operate the cooking station properly. It is the responsibility of the purchaser to establish the warranty period by verifying the original purchase date with original sales receipt.

For more detailed explanation of the warranty, read below:

North Atlantic Imports LLC warrants to the owner that the product covered by this agreement is free from defects in material and workmanship under normal use and service for which it was intended if, but only if, it has been operated in accordance with North Atlantic Imports LLC instructions exclusively for domestic use, and not for private or public club, institutional or commercial purposes.

North Atlantic Imports LLC's obligation under this warranty is limited to replacing or repairing, free of charge, any part or parts that may prove, to the satisfaction of North Atlantic Imports LLC, to be defective under normal home use and service within the following stated periods of time from the date of purchase; for one year from purchase, all parts, finish, and workmanship. Should any failure to conform to this warranty become apparent during applicable warranty periods stated above, the original purchaser must notify North Atlantic Imports LLC of breach of warranty within the applicable warranty period.

North Atlantic Imports LLC shall upon notice and compliance by the original purchaser with such instructions, correct such nonconformity by repair or replacement of the defective part or parts. Correction in the manner provided above shall constitute a fulfillment of all obligations of North Atlantic Imports LLC with respect to the quality of the product.

North Atlantic Imports LLC does not warrant this equipment to meet the requirement of any safety code of any state, municipality or other jurisdiction, and the original purchaser assumes all risk and liability whatsoever resulting from the use thereof, whether used in accordance with North Atlantic Imports LLC instructions or otherwise.

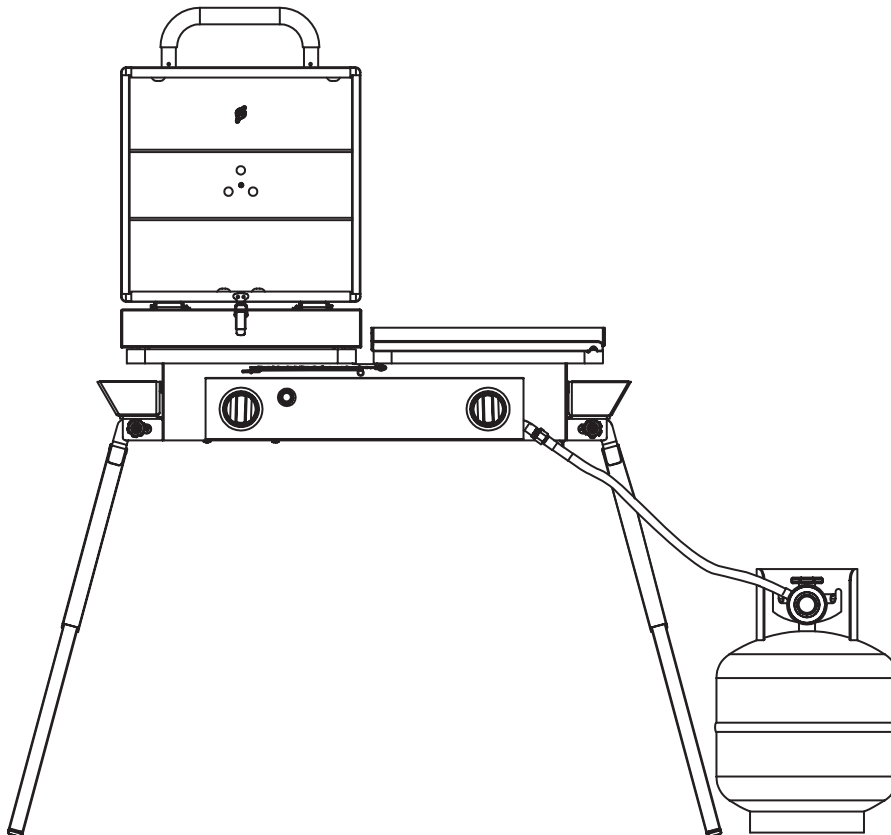
This warranty does not cover and is intended to exclude any liability on the part of North Atlantic its agents, servants or employees whether under this warranty or implied by law for any indirect or consequential damages for breach on any warranty. The purchaser must establish all applicable warranty periods pursuant to this warranty by verifying the original purchase date by producing the dated sales receipt. This warranty shall not apply to this product or any other part thereof which has been subject to accident, negligence, alteration, abuse, or misuse or which has been repaired or altered without North Atlantic written consent, outside of North Atlantic Imports LLC factory.

North Atlantic Imports LLC makes no warranty whatsoever in respect to accessories or parts not supplied with it. This warranty shall apply only within the boundaries of the United States of America. This warranty gives the original purchaser specific rights, and the original purchaser may also have other rights, which vary from state to state.

TAILGATER COMBO

Modèle 1555

CONFORME AUX APPAREILS DE GAZ DE
CUISSON EXTÉRIEURS ANSI Z21.89-2017/
CERTIFIÉ POUR CSA 1.18-2017.





MESSAGES RELATIFS À LA SÉCURITÉ

Lisez et suivez tous les avertissements qui se trouvent dans ce manuel.

⚠ DANGER

Indique une situation extrêmement dangereuse qui, si elle n'est pas évitée, peut entraîner des blessures graves, voire mortelles.

⚠ ATTENTION

Indique la possibilité de blessures corporelles graves si les instructions ne sont pas suivies.

⚠ MISE EN GARDE

Indique une situation potentiellement dangereuse qui, si elle n'est pas évitée, peut entraîner des blessures légères ou modérées.

TAILGATER COMBO

Manuel d'utilisation

Il incombe au consommateur de s'assurer que l'unité est correctement assemblée, installée et entretenue. Si vous ne suivez pas les instructions de ce manuel, vous risquez des blessures corporelles et/ou des dégâts matériels.

Veuillez lire attentivement ce manuel avant l'assemblage. Conservez ce manuel pour vous y référer ultérieurement.

CONTENU

- 01. ENREGISTRER VOTRE PRODUIT 01
- 02. POUR VOTRE SÉCURITÉ 02
 - Section 01. Sécurité générale 02
 - Section 02. Instructions de sécurité pour la plaque de cuisson 04
- 03. GUIDE DE MONTAGE 05
- 04. ENTRETIEN ET MAINTENANCE 10
 - Section 01. Entretien général 10
 - Section 02. Instructions d'assaisonnement plaque chauffante 12
 - Section 03. Nettoyage du brûleur 14
 - Section 04. Nettoyage de votre plaque chauffante 16
- 05. CARBURANT | PROPANE – RÉSERVOIR DE 9,1 KG (20 LB) 18
 - Section 01. Réservoir de propane liquid de 9,1 kg (20 lb) 18
 - Section 02. Raccordement et retrait 21
 - Section 03. Instructions d'essai d'étanchéité 23
- 06. ALLUMAGE | ALIMENTÉ PAR BATTERIE 24
- 07. DÉPANNAGE 25
 - Section 01. Dépannage de l'allumage alimenté par batterie 25
 - Section 02. Flux du gas de la plaque chauffante 26
- 08. FAQ 28
- 09. GARANTIE 29

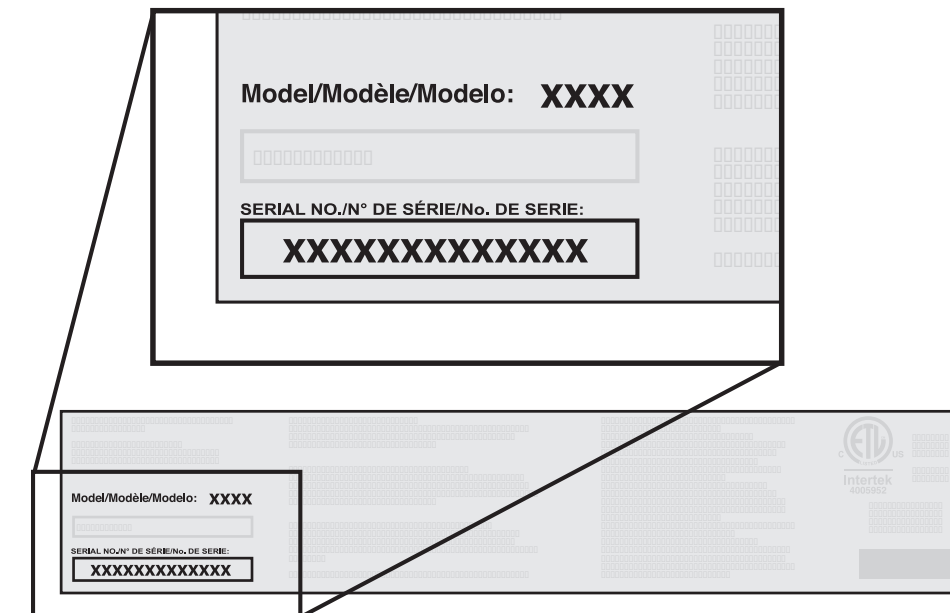
ENREGISTRER VOTRE PRODUIT

L'enregistrement permet à nos représentants du service client de fournir rapidement une assistance avec votre produit Blackstone si nécessaire.

La garantie d'un an de North Atlantic Imports LLC couvre les pièces de rechange jusqu'à un an après la date d'achat. (Veuillez consulter le chapitre Garantie pour plus d'informations.) Pour activer cette garantie, vous devrez fournir:

- Preuve d'achat / réception / détails de la commande
- Numéro de série de votre produit Blackstone
- Numéro de modèle de votre produit Blackstone

Les numéros de série et de modèle de votre produit Blackstone se trouvent sur l'étiquette d'origine de votre plaque chauffante. (L'étiquette d'origine est un grand autocollant argenté qui se trouve sur le corps de votre appareil.)



Numéro de modèle _____

Numéro de sérier _____

Date d'achat _____

Installateur/Assembleur:

Laissez ces instructions au consommateur.

Consommateur:

Conservez ce manuel pour vous y référer ultérieurement.

Pour enregistrer votre produit Blackstone, rendez-vous sur blackstoneproducts.com/register-griddle

**⚠ DANGER****SI DU GAZ EST DÉTECTÉ:**

1. Fermez l'alimentation en gaz à la source.
2. Éteignez toute flamme; ne faites fonctionner aucun appareil électrique.
3. Aérez la zone.
4. Si l'odeur persiste, éloignez-vous de l'appareil et appelez immédiatement le fournisseur de gaz ou le service d'incendie.

⚠ DANGER

Les appareils sont destinés à une utilisation en extérieur uniquement!

⚠ ATTENTION

N'entreposez pas et n'utilisez pas d'essence ou d'autres liquides ou vapeurs inflammables à proximité de cet appareil ou de tout autre appareil.

⚠ ATTENTION

Ce produit peut vous exposer à des produits chimiques, notamment les phtalates (DEHP), qui sont connus dans l'état de la Californie pour provoquer le cancer. Pour plus d'informations, visitez le site www.P65Warnings.ca.gov.

POUR VOTRE SÉCURITÉ

Avant de poursuivre, assurez-vous de bien comprendre la section « POUR VOTRE SÉCURITÉ » de ce manuel. Le non-respect des instructions peut provoquer un incendie ou une explosion.

Section 01 SÉCURITÉ GÉNÉRALE

PRÉCAUTIONS

- Ne pas utiliser cet appareil à moins de 91,4 cm (36 po) de tout matériau combustible, y compris des murs et des plafonds.
- Ne pas utiliser cet appareil sous des surfaces combustibles.
- Lorsqu'elle n'est pas utilisée, éteignez l'appareil en fermant le cylindre LP.
- En cas de défaillance du régulateur, celui-ci doit être remplacé par un modèle approuvé par Blackstone, et le remplacement doit être effectué par un professionnel agréé. Le non-respect annulera la garantie.

Si les informations contenues dans les avertissements ci-dessus ne sont pas suivies à la lettre, des blessures graves, un incendie ou la mort pourraient survenir.

PRÉCAUTIONS DE SÉCURITÉ LORS DE L'INSTALLATION

Cet appareil est certifié pour une utilisation aux États-Unis et au Canada. Ne pas modifier pour une utilisation dans un autre pays. Toute modification entraînerait un risque pour la sécurité.

Cet appareil ne doit pas être utilisé à l'intérieur d'un VR.

Cet appareil ne doit pas être utilisé dans ou sur un bateau.

Cet appareil ne doit pas être utilisée dans ou sur des véhicules de loisirs ou des bateaux.

L'installation de l'appareil doit être conforme aux normes locales ou, en l'absence de normes locales, aux codes américains relatifs au gaz combustible (National Fuel Gas Code), l'ANSI Z223.1/NFPA 54, à l'installation de gaz naturel et propane (Natural Gas and Propane Installation Code) CSA B149.1, à l'entreposage et la manipulation du propane (Propane Storage and Handling Code) B149.2 ou les normes pour les véhicules de loisirs (Standard for Recreational Vehicles) ANSI A 119.2/NFPA 1192, et la CSA Z240 RV Series, le code pour les véhicules récréatifs (Recreational Vehicle Code), le cas échéant.

CONSEILS DE SÉCURITÉ

- Ne déplacez jamais cet appareil pendant qu'elle est en marche ou encore chaude.
- Utilisez des ustensiles de barbecue à long manche et des gants de cuisine pour vous protéger des brûlures et des éclaboussures.

Si de la graisse ou d'autres matières chaudes coulent de l'appareil sur la vanne, le tuyau ou le régulateur:

01. Fermez immédiatement l'alimentation en gaz.
02. Déterminez la cause et corrigez-la.
03. Nettoyez et inspectez la vanne, le tuyau et le régulateur avant de continuer.
04. Effectuez un essai d'étanchéité.

Pour les problèmes appareil, veuillez vous référer au chapitre Dépannage.

SALUBRITÉ ALIMENTAIRE

La salubrité des aliments est un élément important pour profiter de l'expérience de cuisson en plein air. Pour protéger les aliments contre les bactéries nocives, suivez les quatre étapes suivantes:

NETTOYEZ: Lavez vos mains, vos ustensiles et vos surfaces avec de l'eau chaude savonneuse avant et après la manipulation de viandes crues.

SÉPAREZ: Séparez les viandes crues des aliments prêts à consommer pour éviter la contamination croisée. Utilisez des assiettes et des ustensiles propres pour retirer les aliments cuits de l'appareil.

CUISEZ: Laissez cuire la viande entièrement pour tuer les bactéries. Utilisez un thermomètre pour vérifier que les températures internes sont adéquates.

RÉFRIGÉREZ: Réfrigérez rapidement les aliments préparés et les restes.

Pour plus d'informations, visitez foodsafety.gov ou le Partenariat canadien pour la sensibilisation des consommateurs à la salubrité des aliments sur befoodsafecanada.ca

COMMENT SAVOIR SI UNE VIANDE EST BIEN CUITE

La viande et la volaille cuites avec cet appareil brunissent souvent très rapidement à l'extérieur.

Utilisez un thermomètre à viande pour vous assurer que les aliments ont atteint une température interne sécuritaire et coupez les aliments pour vérifier qu'ils présentent des signes de cuisson.

Lorsque vous réchauffez des plats à emporter ou des viandes bien cuites, comme des hot dogs, faites-les cuire à 74 °C/165 °F ou jusqu'à ce qu'ils soient chauds.

⚠ ATTENTION

NE JAMAIS cuire partiellement la viande ou la volaille pour terminer la cuisson plus tard. Faites cuire les aliments complètement pour détruire les bactéries nocives.

TEMPÉRATURES DE CUISSON DE LA VIANDE

**Volaille**

74 °C ou 165 °F
Les jus qui en sortent doivent être transparents et la chair ne doit pas être rose.

Hamburger de bœuf ou de volaille

71 °C ou 160 °F
Les jus ne doivent pas être roses et la chair doit être brune au milieu.

Steaks/côtelettes de bœuf, de veau et d'agneau

63 °C ou 145 °F

Rôtis de bœuf, de veau et d'agneau

63 °C ou 145 °F

TOUS les morceaux de porc

71 °C ou 160 °F
Les jus ne doivent pas être roses.

**ATTENTION**

L'ajout d'une grande quantité d'aliments froids ou congelés (ou d'aliments avec une teneur en eau importante) sur une plaque de cuisson chaude peut la déformer.

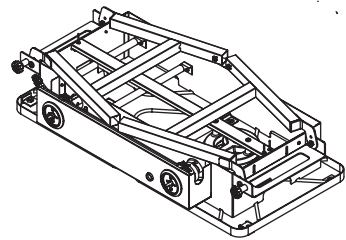
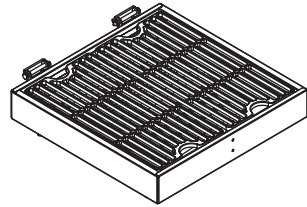
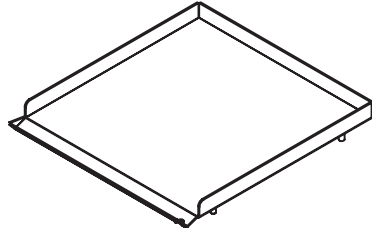
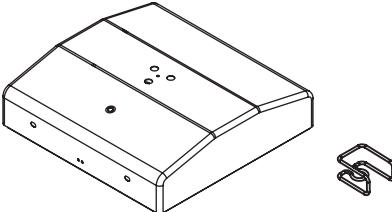
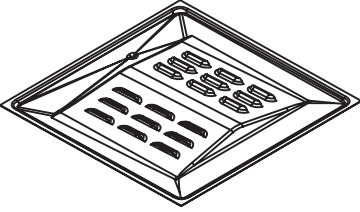
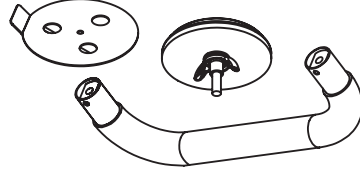
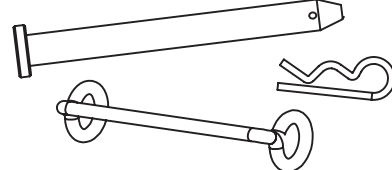
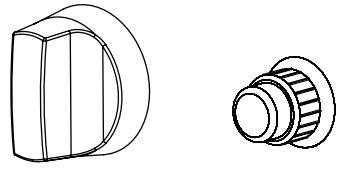
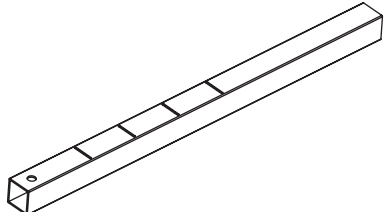
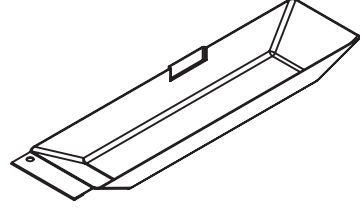
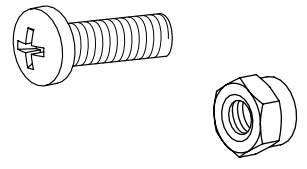
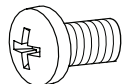
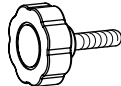
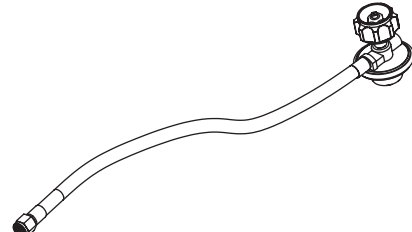
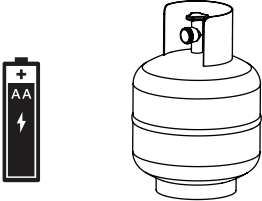
Section 02

INSTRUCTIONS DE SÉCURITÉ POUR LA PLAQUE DE CUISSON

- Maximum weight on side shelf (Le poids maximum que peut supporter l'étagère latérale (le cas échéant) est de 4,5 kg (10 lb).
- Le bac à graisse doit être retiré et vidé après chaque utilisation.
- Ne pas retirer le bac à graisse avant que la plaque de cuisson ne soit complètement refroidie.
- Ne pas obstruer le flux d'air de combustion et de ventilation.
- Nettoyez régulièrement la plaque de cuisson, de préférence après chaque utilisation. (Veuillez vous référer à la section Instructions de test de fuite du chapitre Carburant.)

**GUIDE DE MONTAGE**

LISTE DES PIÈCES ILLUSTRÉES

01. Corps (1 pièce) 	02. Boîte à griller (1 pièce) et grilles à griller (2 pièces) 	03. Plaque chauffante (1 pièce) 
04. Capot (1 pièce) & pince pour boîte de grill (2 pièces) 	05. Tampon de flamme (1 pièce) 	06. Bouche d'aération (1 pièce) et thermomètre (1 pièce) & poignée (1 pièce) 
07. Axe de charnière (2 pièces) & clip à épingle (2 pièces) & bague d'espacement (2 pièces) 	08. Bouton de commande (2 pièces) & bouton d'allumage (1 pièce) 	09. Extensions de jambe (4 pièces) 
10. Tasse à graisse (2 pièces) 	11. Boulon M4x12 (1 pièce) et écrou M4 (2 pièces) 	12. M8x19 Boulon (2 pièces) 
13. Petite vis à molette (4 pièces) 	14. Tuyau de régulateur (1 pièce) 	NON INCLUS - Réservoir de gaz propane de 20 lb & Pile AA 

**ATTENTION**

Le fabricant a tout mis en œuvre pour éliminer les bords tranchants. Cependant, vous devez manipuler tous les éléments avec soin pour éviter les blessures accidentelles.

Certaines pièces peuvent comporter des bords tranchants, notamment celles indiquées dans ces instructions. Portez des gants de protection si nécessaire.

ATTENTION

L'utilisation d'alcool, de médicaments sur ordonnance ou en vente libre peut nuire à la capacité du consommateur d'assembler correctement ou d'utiliser cet appareil en toute sécurité.

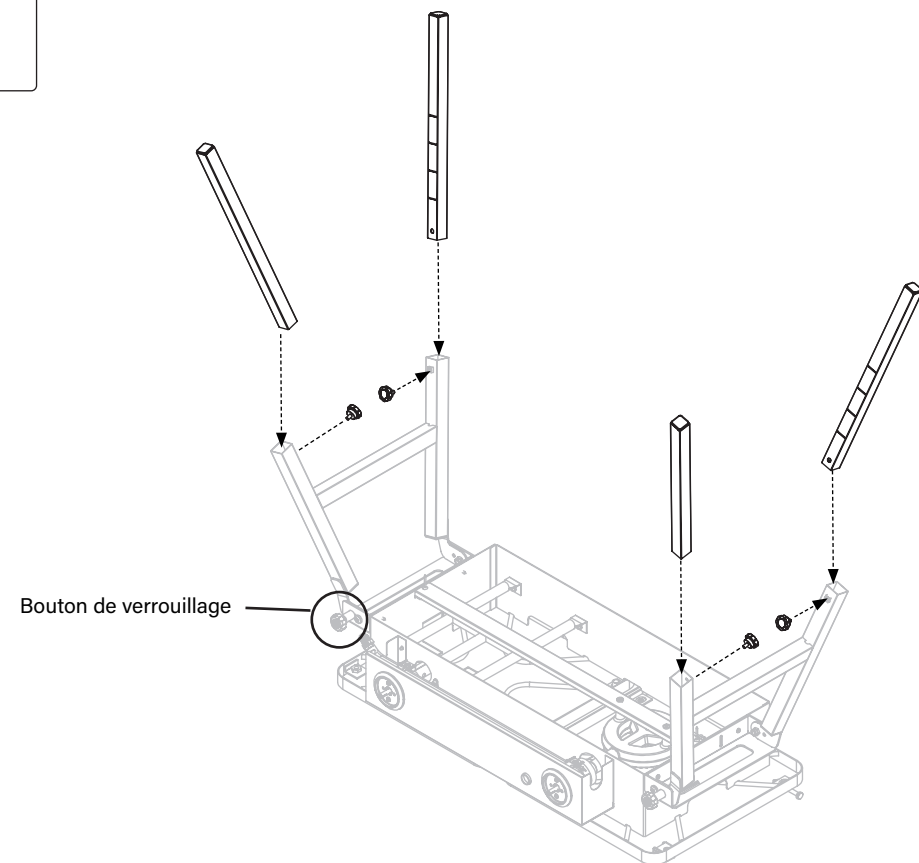
INSTRUCTIONS DE MONTAGE

Veillez lire attentivement toutes les instructions avant de continuer. Assurez-vous que tout le matériel d'emballage en plastique est enlevé avant de procéder à l'assemblage.

Trouvez une grande surface propre pour assembler votre gril. Veuillez vous référer à la liste des pièces et aux schémas d'assemblage si nécessaire.

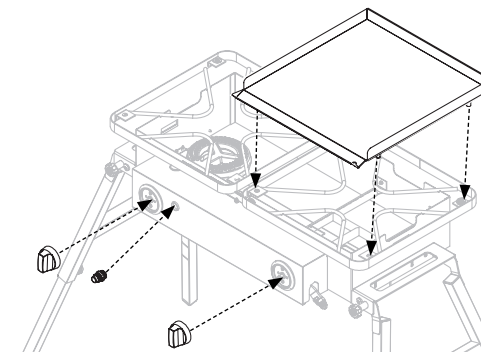
L'assemblage de le gril implique de gros éléments; **il est donc conseillé d'assembler l'appareil à deux personnes.**

ÉTAPE 01 Placez le corps de la plaque chauffante sur une surface plane et lisse. Déplier les jambes en tirant sur le bouton de verrouillage. Ensuite, fixez les quatre (4) extensions de jambe à la hauteur souhaitée avec quatre (4) pouces, une sur chaque jambe.

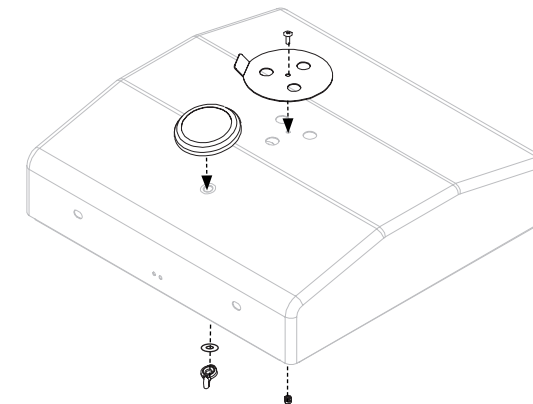
**MISE EN GARDE**

Il est recommandé de monter ce produit à deux personnes.

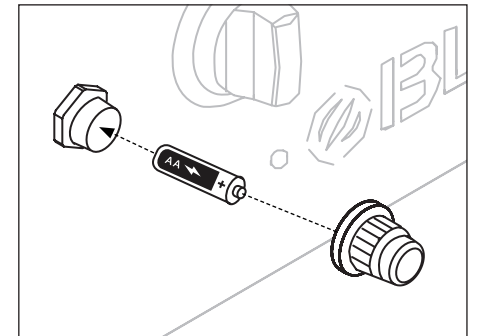
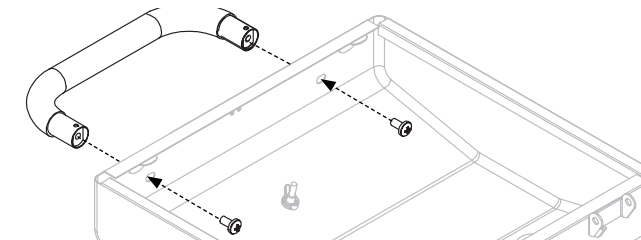
ÉTAPE 02 Placez la plaque chauffante à la verticale. Fixez les deux (2) boutons de commande en les poussant sur les raccords du corps de la plaque chauffante, vissez le bouton d'allumage et placez la plaque chauffante en haut sur le côté gauche du corps. Les quatre pieds au bas du dessus de la plaque chauffante s'inséreront dans le trou correspondant.



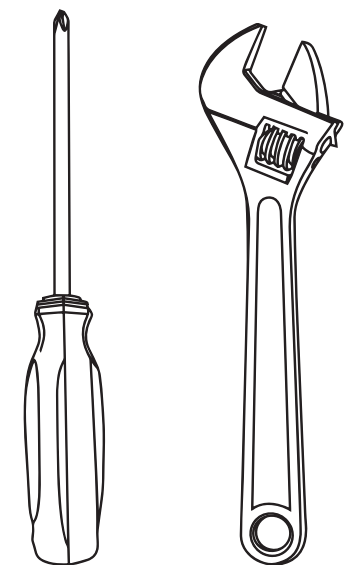
ÉTAPE 03 Ajoutez le thermomètre en utilisant l'écrou à oreilles inclus et la rondelle vissée de l'intérieur de la hotte. Fixez l'évent à la hotte avec un (1) boulon M4X12 par le haut et fixé avec deux (2) écrous M4 de l'intérieur.



ÉTAPE 04 Fixez la poignée à la hotte à l'aide de deux (2) boulons M8x19 de l'intérieur de la hotte.



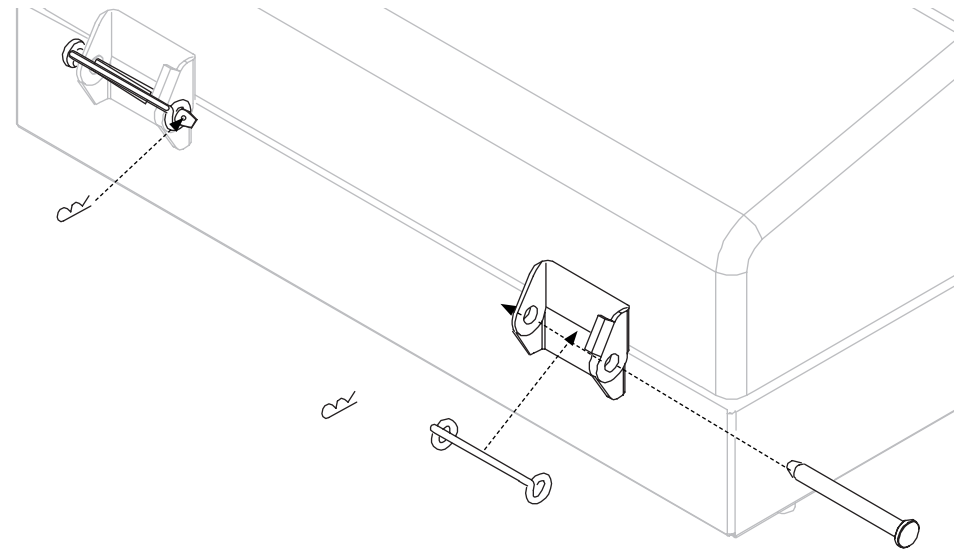
Insérez une pile AA (non fournie) dans le support de pile avec la borne positive tournée vers l'extérieur, puis vissez le bouton d'allumage à fond; faites attention à ne pas trop serrer.



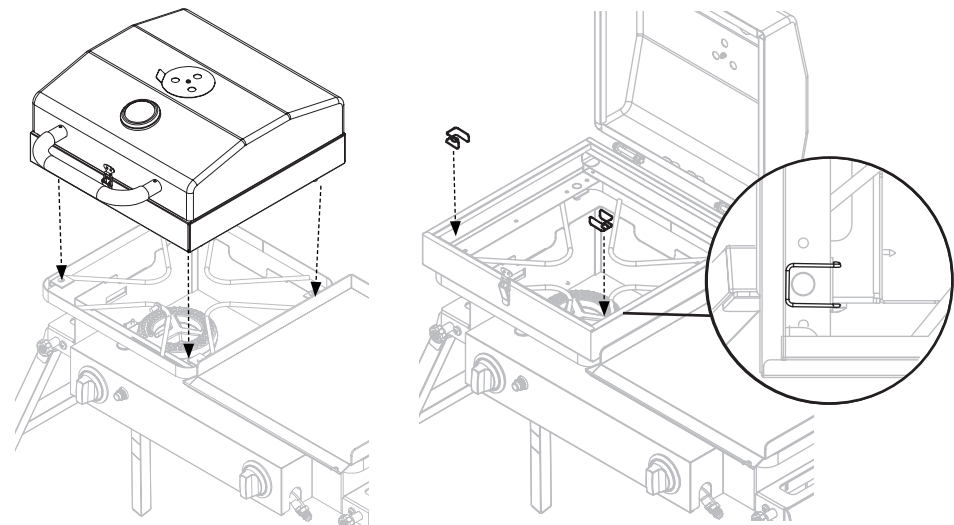
OUTILS NÉCESSAIRES: tournevis cruciforme et clé à molette



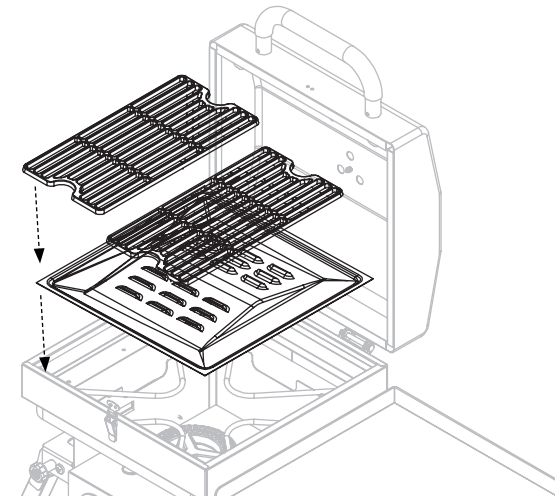
ÉTAPE 05 Connectez la hotte à la boîte du grill en alignant les charnières arrière. Fixez les charnières en insérant une (1) bague d'espacement sur l'extérieur des trous de charnière. Ensuite, poussez une (1) goupille de charnière à travers les trous de la charnière et de l'anneau d'espacement. La broche de charnière passera à travers les trous de charnière et les trous dans la broche d'espacement. Fixez la goupille de charnière avec un (1) clip de goupille. Répétez le processus sur l'autre charnière.



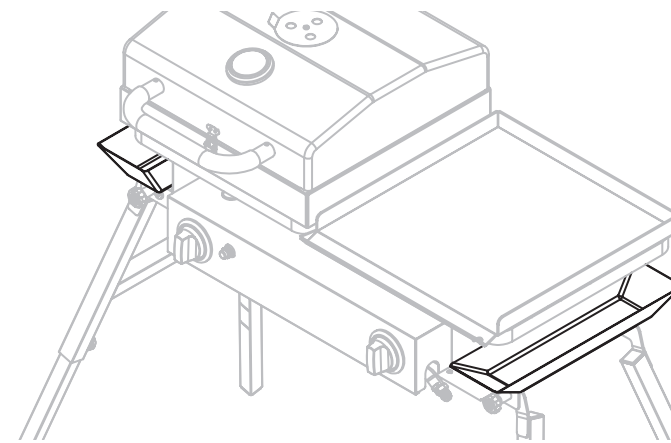
ÉTAPE 06 Placez la boîte de grill assemblée sur l'appareil. Ensuite, utilisez deux (2) attaches de boîte de grill pour fixer la boîte de grill à l'appareil.



ÉTAPE 07 Insérez l'inviolabilité de la flamme et les deux (2) grilles du grill dans la boîte du grill.



ÉTAPE 08 Accrocher les bacs à graisse des deux côtés de l'appareil directement sous l'écoulement de graisse. Connectez le réservoir de propane de 20 lb (non inclus). (Veuillez consulter la section Raccordement et retrait du chapitre Carburant | Propane – Réservoir de 9,1 kg (20 lb).)



ÉTAPE 09 Passez à la section Instructions d'assaisonnement plaque chauffante du chapitre Entretien et maintenance. Profitez de la cuisine en plein air sur votre Tailgater Combo!

BESOIN D'AIDE? Enregistrez votre produit Blackstone sur blackstoneproducts.com/register-griddle et contactez le service client Blackstone pour les questions manquantes sur les pièces, l'assemblage et le fonctionnement:

TÉLÉPHONE:
435-252-3030 ext 1

COURRIEL:
support@blackstoneproducts.com

EN LIGNE:
blackstoneproducts.com/customer-support

**⚠ DANGER**

N'utilisez jamais cet appareil à moins de 3 m (10 pi) de toute structure ou matériau combustible ou d'une autre bouteille de gaz. Ne faites jamais fonctionner cet appareil à moins de 7,5 m (25 pi) de tout liquide inflammable.

⚠ ATTENTION

La bouteille/le réservoir de GPL doit être débranché(e) lorsque l'appareil n'est pas utilisée, et ne doit pas être rangé(e) à proximité de celle-ci ou de tout autre appareil.

⚠ ATTENTION

Lorsqu'il n'est pas utilisé, placez les molettes de l'appareil en position OFF et fermez l'approvisionnement en gaz.

⚠ ATTENTION

Cet appareil sera chaud pendant et après l'utilisation. Utilisez des gants isolants ou des gants de protection pour vous protéger des surfaces chaudes ou des éclaboussures de liquides de cuisson.

⚠ CAUTION

Ne jamais toucher les parties chaudes sans protection adaptée.

ENTRETIEN ET MAINTENANCE

Nettoyez régulièrement votre appareil entre les utilisations, en particulier après de longues périodes de stockage. Pour prolonger la durée de vie et conserver l'état de l'unité, suivez les meilleures pratiques détaillées dans ce manuel.

Section 01

ENTRETIEN GÉNÉRAL

CLAPET DE NON-RETOUR

Assurez-vous que le gaz est coupé au niveau de la bouteille de GPL avant de vérifier les vannes. Les molettes doivent être verrouillées en position OFF.

01. Pour vérifier les vannes, enfoncez les molettes et relâchez-les. Les molettes devraient revenir en place elles-mêmes.
02. Si les boutons ne retournent pas à leur position initiale, remplacez la vanne avant d'utiliser la plaque de cuisson.
03. Tournez les molettes vers la position de faible intensité puis revenez en position OFF. Les molettes doivent tourner facilement.

RACCORDS ET TUYAUX

Il est recommandé d'effectuer une vérification et un serrage des raccords métalliques chaque année.

Avant chaque utilisation, vérifiez l'absence d'entailles ou d'usure sur les tuyaux. Remplacez les tuyaux endommagés avant d'utiliser la plaque de cuisson. Utilisez uniquement des pièces approuvées par Blackstone pour le remplacement d'une vanne, d'un tuyau ou du régulateur.

NETTOYAGE GÉNÉRAL

Ensure that the appliance and its Assurez-vous que la plaque de cuisson et ses composants sont suffisamment froids avant le nettoyage.

- Les dépôts de graisse cuits peuvent nécessiter l'utilisation d'un tampon nettoyeur en plastique abrasif. Utilisez-le uniquement dans le sens du fini brossé pour éviter les dommages.
- NE PAS utiliser de tampon abrasif sur les zones comportant des représentations graphiques.
- Si vous utilisez une brosse en soie pour nettoyer les surfaces de cuisson, assurez-vous qu'il ne reste pas de soies sur les surfaces de cuisson avant la cuisson.

ENTRETIEN DU BRÛLEUR

Dans la plupart des cas, brûler les résidus après la cuisson gardera le brûleur propre.

Le brûleur doit être retiré et nettoyé tous les ans ou chaque fois qu'une accumulation importante est constatée, afin de s'assurer qu'il n'y a pas d'obstruction dans les orifices du brûleur ou les tubes de venturi.

Utilisez un cure-pipe pour éliminer les obstructions. Une brosse métallique peut être utilisée pour éliminer la corrosion sur la surface des brûleurs. (Veuillez consulter la section Nettoyage du brûleur)

Lors du remontage du brûleur, vérifiez que les tubes de venturi du brûleur sont ajustés par-dessus les sorties de la vanne.

APRÈS CHAQUE UTILISATION

PIÈCES EN PLASTIQUE: Laver à l'eau tiède savonneuse et essuyer.

SURFACES PEINTES: Laver avec un détergent doux ou un nettoyant non abrasif et de l'eau savonneuse tiède. Essuyer avec un chiffon doux non abrasif.

SURFACES EN ACIER INOXYDABLE: Pour maintenir l'aspect haut de gamme du cadre de la plaque de cuisson, lavez-le avec un détergent doux et de l'eau savonneuse tiède. Essuyez avec un chiffon doux après chaque utilisation.

STOCKAGE

- Afin de prolonger et de maintenir la durée de vie et l'état de votre appareil, nous recommander que l'unité soit couverte lorsqu'elle est laissée à l'extérieur pour une durée quelconque, en particulier pendant les mois d'hiver.
- Lorsque le cylindre de GPL est connecté à l'appareil, stockez-la à l'extérieur, dans un endroit bien ventilé et hors de portée des enfants. Les bouteilles de GPL ne doivent être rangées qu'à l'extérieur, hors de portée des enfants et dans un endroit frais et sec.
- Rangez l'appareil à l'intérieur UNIQUEMENT si la bouteille de GPL est éteinte, déconnectée, retirée de l'appareil et rangée à l'extérieur.
- Lorsque vous retirez l'appareil du stockage, nettoyez l'ensemble du brûleur avant de démarrer l'appareil. (Veuillez consulter la section Nettoyage du brûleur.)

⚠ ATTENTION

Cet appareil n'est pas destiné à être un appareil de chauffage et ne doit jamais être utilisé comme tel.

⚠ ATTENTION

Ne laissez pas l'appareil sans surveillance. Gardez en tout temps les enfants et les animaux domestiques à distance.

⚠ ATTENTION

L'utilisation d'alcool, de médicaments sur ordonnance ou en vente libre peut nuire à la capacité du consommateur d'assembler correctement ou d'utiliser cet appareil en toute sécurité.

⚠ MISE EN GARDE

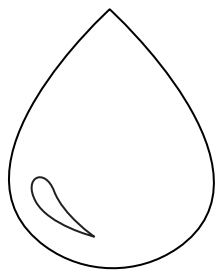
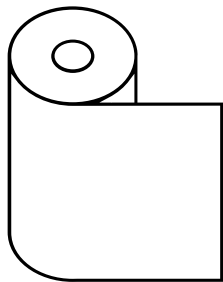
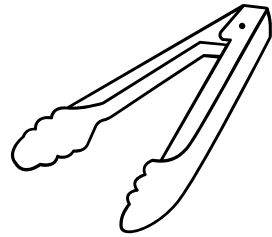
Pour usage résidentiel seulement. Ne pas utiliser à des fins commerciales.

⚠ MISE EN GARDE

Ne pas utiliser de Citrisol, de nettoyeurs abrasifs, de dégraissants ou de nettoyeurs concentrés pour plaques de cuisson sur les pièces en plastique. **Des dommages et une défaillance des pièces pourraient en résulter.**

**MISE EN GARDE**

De petites variations dans la fabrication et les matières premières peuvent entraîner une légère déformation de certaines plaques. Une légère déformation disparaîtra lorsque la plaque chauffante sera chauffée en préparation de la cuisson.



OUTILS NÉCESSAIRES : Pinces de cuisine, essuie-tout et huile de cuisson

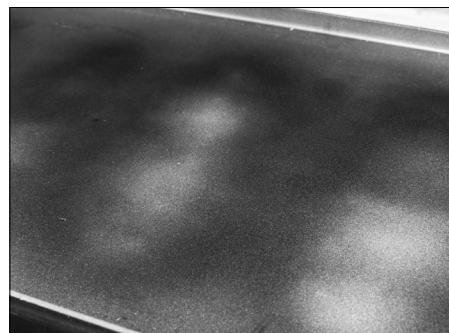
Section 02

INSTRUCTIONS D'ASSAISONNEMENT PLAQUE CHAUFFANTE

Pour de meilleurs résultats, nous avons recommandé d'apprêter la plaque de cuisson avant de commencer à s'en servir.



ÉTAPE 01 Assurez-vous que la plaque de cuisson est exempte de débris. (Veuillez vous référer à la section Nettoyage de votre plaque chauffante)



ÉTAPE 02 Allumez la plaque de cuisson en suivant les instructions d'allumage (trouvé sur l'appareil, ou se référer à Entretien et maintenance > Section 01 / Section 02). Tournez toutes les molettes pour régler les brûleurs au maximum. Attendez environ 10 à 15 minutes, jusqu'à ce que votre plaque de cuisson commence à se décolorer.



ÉTAPE 03 Versez une petite quantité d'huile de cuisson sur le dessus de la plaque. N'importe quelle huile de cuisson peut être utilisée. La quantité d'huile utilisée dépend de la taille de la plaque de cuisson (voir le tableau des mesures).



ÉTAPE 04 Utilisez des pinces de cuisine ou des gants résistants à la chaleur pour tenir l'essuie-tout plié. Étalez l'huile de cuisson sur la surface de la plaque de cuisson à l'aide de l'essuie-tout. Assurez-vous de couvrir entièrement le dessus de la plaque de cuisson, y compris les coins et les côtés.



ÉTAPE 05 Une fois que votre plaque de cuisson est recouverte d'une fine couche d'huile, laissez-la chauffer à feu vif. De la fumée apparaîtra lorsque l'huile commencera à adhérer au-dessus de la plaque de cuisson, créant ainsi une surface antiadhésive.



ÉTAPE 06 Lorsque la plaque de cuisson a cessé d'émettre de la fumée et qu'elle ne brille plus, répétez les étapes 3 à 5 au moins trois fois.

Après avoir répété les étapes d'apprêtage, le dessus de la plaque de cuisson peut ne pas sembler complètement noir. Pour obtenir une surface sombre, commencez à cuisiner sur le dessus de votre plaque de cuisson. Cela créera un apprêtage adéquat sur la plaque de cuisson.

Suivez les bonnes pratiques de stockage de la plaque chauffante pour maintenir une surface de cuisson assaisonnée. (Veuillez vous référer à la section Entretien général.)

REMARQUE : Les plaques de cuisson Blackstone sont préalablement traitées avec de l'huile de soja pour former une couche protectrice. Cette huile peut laisser une décoloration sur le dessus de la plaque de cuisson. Ceci est normal et n'affectera pas le processus d'apprêtage.

QUELLE QUANTITÉ D'HUILE?**1 cuillère à soupe d'huile**

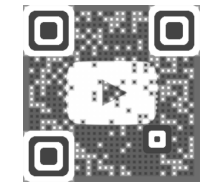
- Toutes les plaques de cuisson de 17 po et 22 po

2 cuillères à soupe d'huile

- Toutes les plaques de cuisson de 28 po

3 cuillères à soupe d'huile

- Toutes les plaques de cuisson de 36 po



REGARDER LE TUTORIEL Numériser le code QR pour visionner notre vidéo sur l'apprêtage des plaques de cuisson sur notre chaîne YouTube, ou consultez: youtube.com/blackstonegriddles



Section 03

NETTOYAGE DU BRÛLEUR

Suivez ces instructions pour nettoyer ou remplacer des pièces du brûleur, ou en cas de difficulté à allumer la plaque de cuisson. Pendant le nettoyage, vérifiez que le brûleur n'est pas endommagé. Si vous trouvez des fissures ou des trous importants, remplacez le brûleur.

ÉTAPE 01 COUPEZ le gaz à l'aide des molettes de commande et au niveau de la bouteille de GPL. Retirez le dessus de la plaque de cuisson.



ÉTAPE 02 Détachez et retirez avec précaution le brûleur.



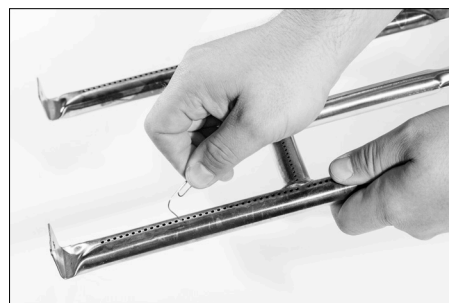
ÉTAPE 03 Passez plusieurs fois un goupillon à bouteille fin dans chaque tube du brûleur (n'utilisez pas de brosses métalliques).

Autres méthodes:

- a** Passez plusieurs fois un fil rigide plié en forme de petit crochet à travers chaque tube de brûleur.
- b** Utilisez un tuyau à air pour forcer l'air à entrer dans le tube du brûleur et à sortir par les orifices du brûleur. Vérifiez que l'air passe à travers chaque trou (portez des lunettes de protection).



ÉTAPE 04 Brossez toute la surface extérieure du brûleur pour enlever la saleté.



ÉTAPE 05 Nettoyez tous les ports bloqués avec un fil rigide, par exemple un trombone ouvert. Ensuite, replacez soigneusement les brûleurs et rattachiez-les. Les tubes de brûleur doivent être réintroduits dans les orifices de la vanne.

VÉRIFICATION DE LA FLAMME DU BRÛLEUR

01. Allumez les brûleurs et tournez les molettes de l'intensité élevée à faible. Lorsque la molette est placée sur intensité élevée, les flammes doivent être plus grosses que lorsque le bouton est en position d'intensité faible.
02. Effectuez une vérification de la flamme du brûleur en regardant sous le dessus de la plaque de cuisson, sur le côté de l'appareil, pour voir les brûleurs situés au-dessous.
03. Vérifiez toujours la flamme du brûleur avant utilisation.

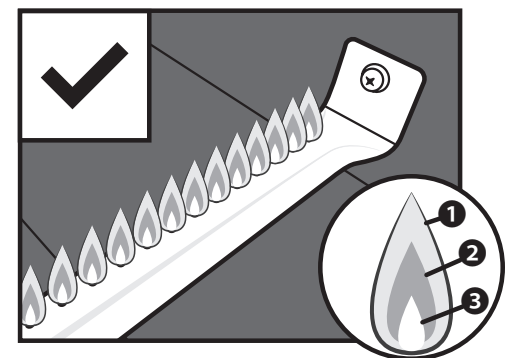
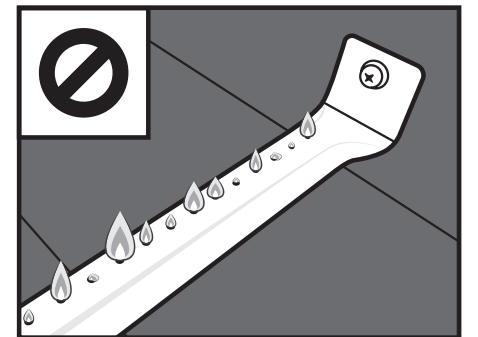
S'il y a une chute soudaine ou un problème de flamme faible, veuillez vous référer au chapitre Dépannage.

Pour un soutien supplémentaire, consultez [youtube.com/blackstonegriddles](https://www.youtube.com/blackstonegriddles)

INSTRUCTIONS POUR L'ALLUMAGE AVEC ALLUMETTES

Avant de commencer, si votre unité utilise un Réservoir de GLP de 9,1 kg (20 lb), vérifiez les fuites de gaz. (Veuillez vous référer à la section Instructions de test de fuite du chapitre Carburant | Propane - Réservoir de 9,1 kg (20 lb).)

01. Assurez-vous que la molette de commande est en position OFF.
02. Retirez le dessus de la plaque de cuisson.
03. Allumez une allumette (ou un briquet long) d'au moins 27 cm (11 po) de long. Placez la flamme sur le côté droit ou gauche du brûleur.
04. Enfoncez et tournez la molette de commande jusqu'à la position HAUTE. Assurez-vous que le brûleur s'allume et reste allumé.



Les flammes saines peuvent avoir quelques scintillements de couleur jaune ①, puis de couleur bleu foncé ②, suivis d'un bleu vif par le tube du brûleur ③.

**⚠ DANGER**

Ne placez pas d'objets inflammables sur les étagères latérales près de la plaque de cuisson. Les aérosols sont particulièrement dangereux, car ils peuvent surchauffer et provoquer une explosion, un incendie, des blessures graves, voire la mort.

⚠ ATTENTION

Ne laissez pas la plaque de cuisson sans surveillance pendant le préchauffage ou la combustion des résidus d'aliments. Si la plaque de cuisson n'a pas été nettoyée régulièrement, un feu de graisse peut se produire et causer des blessures graves ou des dommages matériels.

⚠ WARNING

Ne placez pas de serviettes huileuses ou graisseuses près de la plaque à frire car elles peuvent brûler spontanément.

⚠ ATTENTION

Ne vous penchez pas au-dessus de la plaque de cuisson pendant l'allumage.

Section 04

NETTOYAGE DE VOTRE PLAQUE CHAUFFANTE**STOCKAGE DE VOTRE PLAQUE DE CUISSON**

Stockez la plaque de cuisson dans un endroit frais et sec. Gardez toujours la plaque de cuisson couverte si elle est stockée en extérieur. Choisissez parmi la gamme de couvertures de plaques de cuisson offerte par Blackstone.

Lorsque vous protégez une plaque de cuisson avec une couverture souple, créez une forme de « tente » pour empêcher l'eau de s'accumuler sur le dessus de la plaque de cuisson. Créer une forme de « tente » consiste à placer un objet (un bol, une balle de tennis ou un tuyau en PVC) sous une couverture souple au centre de la plaque de cuisson afin de permettre à l'eau de glisser. Former une « tente » aide à prévenir la rouille.

PREMIER NETTOYAGE

SURFACE DE CUISSON SUR LA PLAQUE: Les plaques Blackstone sont pré-traitées avec de l'huile de cuisson pour éviter la rouille et les dommages pendant le transport. Pour la première utilisation, lavez la plaque à l'eau chaude savonneuse.

C'EST LE SEUL MOMENT OÙ VOUS DEVRIEZ UTILISER DU SAVON SUR LA SURFACE DE CUISSON DE LA PLAQUE.

Rincez et laissez sécher complètement. Continuez en suivant les instructions d'apprêtage. (Veuillez vous référer à la section Instructions d'assaisonnement pour plaque chauffante)

ÉTEINDRE LA PLAQUE DE CUISSON

Placez toutes les molettes en position OFF. FERMEZ la bouteille de GPL en tournant le robinet dans le sens horaire jusqu'à l'arrêt complet.

**⚠ ATTENTION**

N'APPLIQUEZ JAMAIS D'EAU FROIDE SUR UNE PLAQUE DE CUISSON CHAUDE. Cela peut provoquer une déformation..

⚠ MISE EN GARDE

NE PAS UTILISER DE SAVON SUR LA SURFACE DE CUISSON DE LA PLAQUE. Cela éliminera l'apprêtage de la plaque de cuisson.

NETTOYAGE DE LA SURFACE DE CUISSON DE LA PLAQUE

ÉTAPE 01 Pour nettoyer la plaque après chaque utilisation, laissez-la refroidir à une température inférieure à 5 °C. Grattez les débris alimentaires avec une spatule ou un grattoir droit.



ÉTAPE 02 Essuyez la surface de la plaque de cuisson avec de l'essuie-tout.



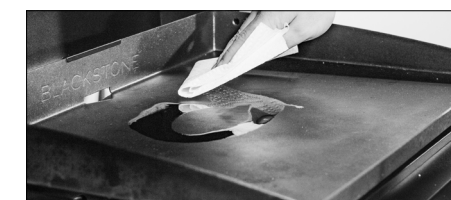
ÉTAPE 03 Divisez la surface de la plaque chauffante en sections d'environ 15 cm (6 po) (largeur du grattoir). Appliquez de l'eau sur la première section à l'aide d'une bouteille compressible, puis raclez l'eau et les débris vers le bac à graisse. Passez à la section de 15 cm suivante et répétez l'opération.

N'UTILISEZ PAS PLUS DE DEUX CUILLÈRES À SOUPE D'EAU À LA FOIS.

75 g (1/4 de tasse) de sel de table peut être utilisé pour éliminer les résidus d'aliments collés.



ÉTAPE 04 Essuyez à nouveau avec de l'essuie-tout et laissez sécher complètement.



ÉTAPE 05 Appliquez une fine couche d'huile de cuisson pour maintenir l'apprêtage.

BESOIN D'AIDE? Enregistrez votre produit Blackstone sur blackstoneproducts.com/register-griddle et contactez le service client Blackstone pour les questions manquantes sur les pièces, l'assemblage et le fonctionnement:

📞 TÉLÉPHONE:
435-252-3030 ext 1

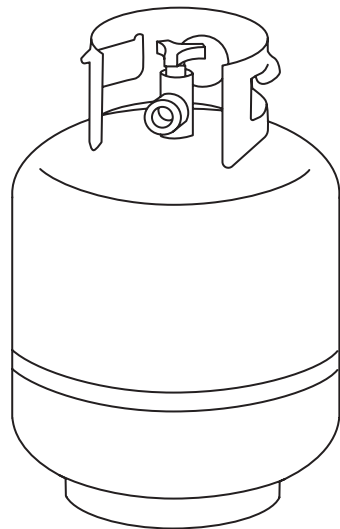
✉ COURRIEL:
support@blackstoneproducts.com

💻 EN LIGNE:
blackstoneproducts.com/customer-support

**ATTENTION**

Les carburants utilisés dans les appareils à gaz propane liquéfié et les produits de combustion de tels carburants peuvent vous exposer à des produits chimiques, notamment le benzène, connu de l'État de Californie pour causer le cancer et causer des malformations congénitales ou d'autres problèmes de reproduction.

Pour plus d'informations, visitez www.P65Warnings.ca.gov.



CARBURANT | PROPANE - RÉSERVOIR DE 9,1 KG (20 LB)

Section 01 RÉSERVOIR DE PROPANE LIQUIDE DE 9,1 KG (20 LB)

GPL (GAZ DE PÉTROLE LIQUÉFIÉ)

Le GPL est non toxique, inodore et incolore lorsqu'il est produit. Pour des raisons de sécurité et pour faciliter sa détection, le GPL est doté d'une odeur similaire à celle du chou pourri.

Le gaz de pétrole liquéfié est hautement inflammable et peut s'enflammer de manière inattendue lorsqu'il est mélangé à l'air.

EXIGENCES RELATIVES À LA BOUTEILLE DE PROPANE LIQUIDE DE 9,1 KG (20 LB)

- Assurez-vous que les bouteilles ont une certification du DOT américain et qu'elles ont été testées par un fournisseur de GPL dans un délai de cinq ans à compter du début de leur utilisation.
- Tous les systèmes d'alimentation des réservoirs de GPL doivent comporter un collet pour protéger la vanne de la bouteille.
- Utilisez uniquement une bouteille de GPL de 45 cm sur 30 cm et 9,1 kg.

- La bouteille doit être construite et classée conformément aux caractéristiques pour les bouteilles de GPL (Specifications for LP - Gas Cylinders) du Département des Transports (DOT ou Department of Transportation) américain ou à la Norme nationale du Canada CAN/CSA-B339, Bouteilles à gaz cylindriques et sphériques et tubes pour le transport des marchandises dangereuses; et la Commission, le cas échéant.

EXIGENCES RELATIVES À LA BOUTEILLE DE PROPANE LIQUIDE POUR LE CANADA

- La bouteille de GPL doit être construite et classée conformément aux caractéristiques sur les bouteilles de GPL de Transports Canada.

RÉSERVOIR DE GPL DE 9,1 KG (20 LB)

Le réservoir de GPL de 9,1 kg utilisé avec votre plaque de cuisson doit répondre aux exigences suivantes:

Les réservoirs de GPL doivent être construits et classés conformément aux caractéristiques pour les réservoirs GPL du département des transports (DOT) des États-Unis ou selon la norme CAN/CSA-B339 sur les bouteilles à gaz cylindriques et sphériques et tubes pour le transport des marchandises dangereuses de Transports Canada).

Se reporter au collet du réservoir de GPL pour le marquage.

La vanne du réservoir de GPL doit avoir:

- Prise de type 1 compatible avec le régulateur de l'appareil.
- Soupape de sûreté-décharge.
- Dispositif antidébordement homologué UL. Cette caractéristique du dispositif antidébordement est identifiée par un robinet triangulaire unique. Utilisez uniquement des réservoirs de GPL équipés de ce type de vanne.
- Le réservoir de GPL doit être prévu pour l'élimination de la vapeur et inclure un collet pour protéger la vanne du réservoir de GPL.

Robinet du dispositif antidébordement



Gardez toujours les réservoirs de GPL neufs et de remplacement en position verticale pendant l'utilisation, le transport ou le stockage.

REMPLISSAGE DE RÉSERVOIR DE GPL

Faites uniquement appel à des détaillants agréés et expérimentés. Le détaillant de GPL doit purger le réservoir neuf avant le remplissage.

Le volume de propane dans le réservoir varie en fonction de la température. Un régulateur givré indique un réservoir de gaz trop rempli. Fermez immédiatement la vanne du réservoir de GPL et appelez un détaillant local de GPL pour obtenir de l'aide.

Ne libérez pas de gaz de pétrole liquéfié (GPL) dans l'atmosphère.

Pour retirer le gaz du réservoir de GPL, contactez un détaillant de GPL agréé ou le service d'incendie local.

**⚠ DANGER**

- Ne rangez JAMAIS une bouteille de GPL de recharge sous ou près de l'appareil ou dans un lieu clos.
- Ne remplissez JAMAIS une bouteille de GPL au-delà de 80%.
- NE rangez PAS de bouteille de GPL dans un lieu où des enfants jouent.
- Ne laissez JAMAIS un réservoir ou une bouteille de GPL à l'intérieur d'un véhicule pouvant surchauffer à cause du soleil.

Si les informations ci-dessus ne sont pas suivies à la lettre, un incendie pouvant provoquer des blessures graves, voire mortelles, pourrait survenir.

Une bouteille trop remplie ou mal entreposée constitue un danger, en raison du dégagement possible de gaz par la soupape de sûreté-décharge. Cela pourrait provoquer un violent incendie et causer des dommages matériels, des blessures graves ou la mort.

Si vous voyez, sentez ou entendez du gaz s'échapper, éloignez-vous immédiatement de la bouteille de propane et de l'appareil et appelez le service d'incendie.

ÉCHANGE DE RÉSERVOIR DE GPL

Effectuez un essai d'étanchéité pour les réservoirs de GPL neufs et de remplacement AVANT de les brancher à la plaque de cuisson.

De nombreux détaillants offrent la possibilité de remplacer les réservoirs de GPL vides dans le cadre d'un service d'échange.

Faites uniquement appel à des sociétés réputées qui inspectent, remplissent avec précision, testent et certifient leurs réservoirs.

Remplacez le réservoir uniquement par un réservoir équipé d'un dispositif de sécurité OPD.

Placez le capuchon anti-poussière sur la sortie de la vanne de la bouteille lorsque la bouteille n'est pas utilisée.

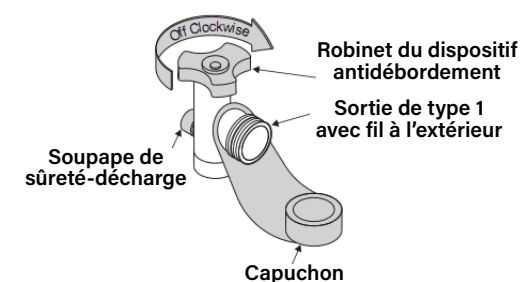
Installez sur la sortie de la valve de la bouteille uniquement le type de capuchon anti-poussière fourni avec la valve de la bouteille.

L'utilisation d'autres types de capuchon ou de bouchons peut entraîner des fuites de propane.

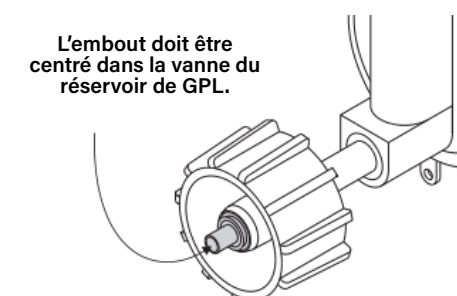
REMARQUE : Votre revendeur peut vous aider à trouver un réservoir de remplacement pour votre plaque de cuisson.

Section 02**RACCORDEMENT ET RETRAIT****RACCORD DU RÉGULATEUR AU RÉSERVOIR DE 9,1 KG (20 LB)**

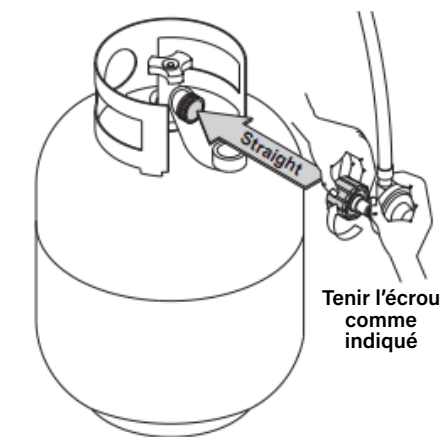
01. Le réservoir de GPL doit être correctement fixé à la plaque de cuisson. (se reporter à la section sur l'assemblage)
02. Placez toutes les molettes de commande sur la position OFF.
03. FERMEZ le réservoir de GPL en tournant le robinet antidébordement dans le sens horaire jusqu'à l'arrêt complet.
04. Retirez le capuchon de protection de la vanne du réservoir de GPL.



05. Maintenir le régulateur et insérer l'embout dans la vanne du réservoir de GPL.



06. Tourner manuellement l'écrou de raccordement en tenant le régulateur droit (voir figure ci-dessous) par rapport à la vanne du réservoir de GPL pour éviter de fausser le filetage du raccord.



07. Tourner l'écrou de raccordement dans le sens horaire et serrer complètement. Le régulateur scelle la fonction de vérification arrière de la vanne du réservoir de GPL, ce qui crée une certaine résistance.
08. Un demi-tour supplémentaire aux trois quarts est nécessaire pour terminer le raccord. Serrer à la main uniquement - ne pas utiliser d'outils.

REMARQUE : Si le raccord ne peut pas être terminé, débranchez le régulateur et répétez les étapes 5 et 6.

Si vous ne pouvez pas terminer le raccord, n'utilisez pas ce régulateur!

Appelez le **435-252-3030 ext 1**, pour obtenir des pièces de rechange identiques.

⚠ DANGER

N'insérez aucun outil ou objet dans la sortie de la vanne ou la soupape de sûreté-décharge. La vanne peut être endommagée et provoquer une fuite. **Une fuite de propane peut provoquer une explosion, un incendie, des blessures graves, voire la mort.**

Si, à tout moment, une fuite est détectée, ARRÊTEZ ce que vous faites et appelez le service d'incendie. Si vous ne pouvez pas arrêter une fuite de gaz, fermez immédiatement la vanne du réservoir de propane et appelez votre fournisseur de gaz propane ou le service d'incendie!

⚠ ATTENTION

Ne pas insérer de bouchon de transport POL (pièce en plastique avec fil extérieur) dans la sortie de la vanne du réservoir de type 1. Cela annulera la fonction de la soupape de sûreté-décharge.



**ATTENTION**

N'essayez jamais de fixer cette plaque de cuisson au système de gaz propane indépendant d'une roulotte, d'un véhicule récréatif ou d'une autocaravane.

N'utilisez pas le réservoir de GPL avant d'avoir effectué un essai d'étanchéité.

RETRAIT DU RÉSERVOIR DE GPL POUR LE TRANSPORT OU LE STOCKAGE

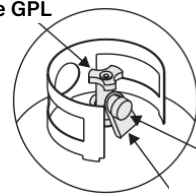
01. Placez toutes les molettes de commande en position OFF et fermez la vanne du réservoir de GPL.
02. Tourner manuellement l'écrou de raccordement dans le sens antihoraire. N'utilisez pas d'outils pour le débranchement.
03. Soulevez le réservoir de GPL et retirez-le du support.
04. Installez le capuchon de sécurité sur la vanne du réservoir de GPL.

Utilisez en permanence le capuchon et la sangle fournis avec la vanne.

Ne pas utiliser le capuchon de sécurité comme indiqué peut entraîner des blessures graves ou des dommages matériels importants.

Un réservoir de GPL débranché stocké ou en cours de transport doit être muni d'un capuchon de sécurité (comme indiqué).

Vanne de réservoir de GPL



Capuchon de sécurité
Sangle de retenue



Section 03

INSTRUCTIONS D'ESSAI D'ÉTANCHÉITÉ

SÉCURITÉ PENDANT L'ESSAI D'ÉTANCHÉITÉ

- L'essai d'étanchéité doit être répété chaque fois que le réservoir de GPL est remplacé ou rempli.
- Ne pas fumer pendant l'essai d'étanchéité.
- Ne pas utiliser de flamme pour vérifier les fuites de gaz.
- La plaque de cuisson doit faire l'objet d'un essai d'étanchéité à l'extérieur, dans un endroit bien ventilé, à l'écart de sources d'inflammation telles que des appareils à gaz ou électriques.
- Pendant l'essai d'étanchéité, maintenez la plaque de cuisson à l'écart des flammes ou des étincelles.

ESSAI D'ÉTANCHÉITÉ POUR RÉSERVOIR DE GPL DE 9,1 KG (20 LB)

01. Utilisez un pinceau propre et une solution à base d'eau et de savon doux à 10/90.
02. Appliquez la solution savonneuse sur les joints du réservoir (Indiqué par les flèches sur la figure 01).
03. Les fuites seront mises en évidence par l'apparition de bulles.

ESSAI D'ÉTANCHÉITÉ POUR LES VANNES, LE TUYAU ET LE RÉGULATEUR

01. Fermez toutes les molettes de commande de la plaque de cuisson.
02. Assurez-vous que le régulateur est bien connecté au réservoir de GPL.
03. Ouvrez complètement la vanne du réservoir de GPL en tournant le robinet du dispositif antidébordement dans le sens antihoraire.

Si vous entendez un bruit important, fermez immédiatement le gaz. Il y a une fuite majeure au niveau du raccord. Corrigez la situation avant de continuer. Pour obtenir des pièces de rechange, appelez le **435-252-3030 ext 1**.

04. Appliquez une solution savonneuse sur les zones où se trouvent les bulles, tel qu'illustré à la figure 02.

Si des bulles apparaissent, il y a une fuite. Fermez immédiatement la vanne du réservoir de GPL et resserrez les raccords. Si les fuites ne peuvent être arrêtées, **NE PAS ESSAYER D'EFFECTUER UNE RÉPARATION**. Appelez le **435-252-3030 ext 1** pour obtenir des pièces de rechange.

05. Fermez toujours la vanne du réservoir de GPL après avoir effectué l'essai d'étanchéité, en tournant le robinet dans le sens horaire.

ATTENTION

Si des bulles apparaissent, n'utilisez pas et ne déplacez pas le réservoir de GPL. Contactez immédiatement un fournisseur de gaz propane ou un service d'incendie.

MISE EN GARDE

NE PAS UTILISER DE PRODUITS D'ENTRETIEN MÉNAGER. Cela pourrait endommager les composants de la vanne, du tuyau et du régulateur.

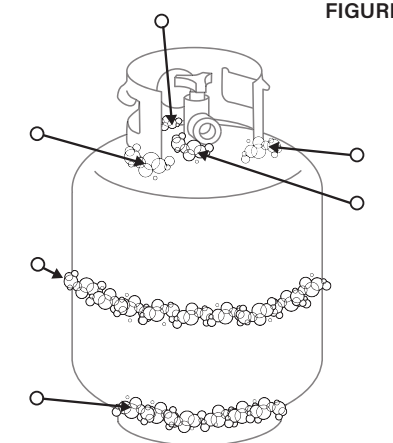


FIGURE 01

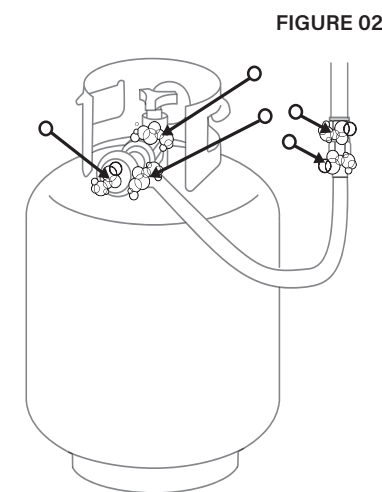


FIGURE 02

**ATTENTION**

Ne vous penchez pas au-dessus de la plaque de cuisson pendant l'allumage.

ATTENTION

Si l'allumage ne se produit PAS dans les 5 secondes, éteignez les commandes du brûleur, attendez 5 minutes et répétez la procédure d'allumage.

Si le brûleur ne s'allume pas avec la vanne ouverte, le gaz continuera de sortir du brûleur et pourrait s'enflammer accidentellement/par inadvertance et engendrer un risque de blessure.

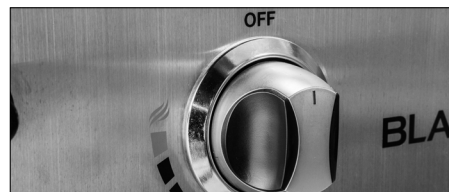
ALLUMAGE | ALIMENTÉ PAR BATTERIE

FUNCTIONNEMENT DE LA PLAQUE CHAUFFANTE

Pour un allumage et un fonctionnement corrects de la plaque chauffante, suivez les étapes ci-dessous.



ÉTAPE 01 Pour que le commutateur d'allumage fonctionne correctement, assurez-vous que la pile est correctement installée.



ÉTAPE 02 Placez les molettes de commande des brûleurs à gaz en position OFF.



ÉTAPE 03 Ouvrez le gaz sur la bouteille LP en prenant 20 secondes pour tourner le bouton à mi-chemin.



ÉTAPE 04 Pour allumer, poussez et tournez la molette du brûleur d'allumage jusqu'à la position MAX.



ÉTAPE 05 Appuyez et maintenez enfoncé le bouton d'allumage électronique jusqu'à ce que le brûleur d'allumage s'enflamme.



ÉTAPE 06 Pour allumer les brûleurs restants, tournez chaque molette des brûleurs jusqu'à la position MAX. Commencez avec le brûleur le plus proche de l'AIGUILLE D'ALLUMAGE.



DÉPANNAGE

Section 01

DÉPANNAGE DE L'ALLUMAGE ALIMENTÉ PAR BATTERIE

SYMPTÔMES

01. Le brûleur ne s'allume pas avec le système d'allumage
02. Une pression sur le bouton d'allumage n'entraîne pas de clic

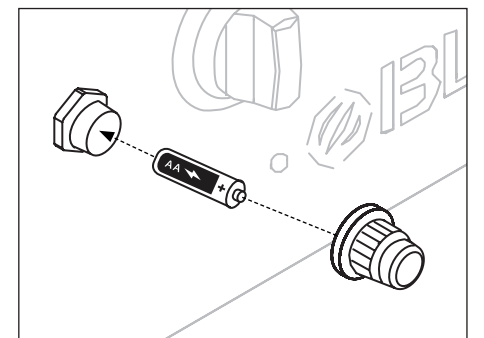
Pour déterminer la cause, essayez d'allumer votre plaque chauffante avec une allumette. (Veuillez vous référer aux instructions d'allumettes correspondantes dans la section Nettoyage du brûleur du chapitre Entretien et maintenance)

Si vous **POUVEZ** allumer votre plaque avec une allumette

CAUSES POSSIBLES	SOLUTION
01. Batterie morte ou pas de batterie dans les unités équipées d'un allumage électrique alimenté par batterie.	Remplacez-la par une nouvelle pile.
02. Batterie mal installée.	Assurez-vous que la batterie est installée l'extrémité négative en premier.
03. Fil d'allumeur mal aligné.	Assurez-vous que le fil de l'allumeur est positionné de 1/8" à 1/4" du tube du brûleur, positionné au-dessus d'un trou de brûleur.
04. Endommagement du système d'allumage.	Contactez le service client pour les pièces de rechange.

Si vous **NE POUVEZ PAS** allumer votre plaque avec une allumette

CAUSES POSSIBLES	SOLUTION
05. Les tubes des brûleurs ne reçoivent pas de propane.	Veuillez consulter la section Flux du gaz du chapitre Dépannage.



Insérez une pile AA (non fournie) dans le support de pile avec la borne positive tournée vers l'extérieur, puis vissez le bouton d'allumage à fond; faites attention à ne pas trop serrer.

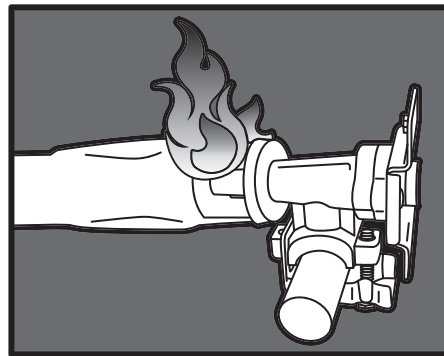


Section 02

FLUX DU GAS DE LA PLAQUE CHAUFFANTE

SYMPTÔMES

01. Une flamme sort de la porte d'air.



CAUSES POSSIBLES

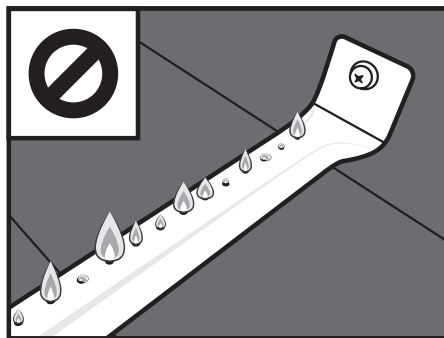
01. Quelque chose bloque le venturi dans le tube du brûleur. Cela ne permet pas au propane de s'écouler à travers le brûleur, ce qui fait reculer la flamme par la porte d'air.

SOLUTION

Nettoyez l'ensemble du brûleur pour éliminer l'obstruction. (Voir Entretien et maintenance > Entretien général > Nettoyage de l'ensemble du brûleur)

SYMPTÔMES

01. Les flammes des brûleurs sont jaunes ou irrégulières.

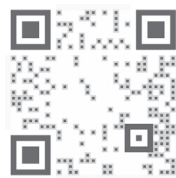


CAUSES POSSIBLES

01. Quelque chose bloque l'entrée d'air du brûleur. Cela empêche l'oxygène de se mélanger correctement avec le propane pour obtenir des flammes saines.

SOLUTION

Vérifiez les grilles d'aération de votre brûleur. Si vous avez des volets d'air réglables au-dessus de vos grilles d'aération, assurez-vous qu'ils sont complètement ouverts. Si vos brûleurs ont des boucliers anti-insectes, nettoyez les toiles d'araignées, la suie ou les débris du bouclier anti-insectes. Nettoyez tout autre obstacle des grilles d'aération.



ASSISTANCE TECHNIQUE. Numérisez le code QR pour plus de vidéos ou visitez la chaîne YouTube de Blackstone à l'adresse [youtube.com/blackstonegriddles](https://www.youtube.com/blackstonegriddles)

SYMPTÔMES

01. La plaque chauffante n'atteindra pas une chaleur élevée ou ne chauffe pas de manière inégale.
02. Les flammes du brûleur démarrent fortement, puis tombent immédiatement à bas même lorsque le brûleur est réglé en position haute.
03. La hauteur de la flamme diminue lorsqu'un deuxième brûleur est allumé.
04. Les flammes ne s'étendent pas sur toute la longueur du brûleur, ou ne courent que d'un côté du brûleur.
05. Les flammes des brûleurs sont incohérentes.

CAUSES POSSIBLES

01. La réglementation américaine exige que tous les régulateurs de plaque chauffante contiennent un dispositif limiteur de débit pour la sécurité des consommateurs. Cet appareil mesure la quantité de propane passant par le régulateur pour s'assurer que les niveaux sont sécuritaires. Si le débit à travers le régulateur est trop élevé (symptôme d'une fuite importante), le limiteur de débit se déclenchera, limitant le débit de propane pour réduire les risques d'incendie dangereux. Ce système de sécurité peut être déclenché accidentellement en ouvrant un réservoir de propane trop rapidement ou en ouvrant le réservoir de propane lorsqu'un bouton du brûleur n'est pas en position d'arrêt.
02. La bouteille de gaz propane est vide ou basse.
03. Obstructions dans le brûleur, les jets de gaz ou la rampe d'alimentation.
04. Régulateur coincé en position de sécurité.

SOLUTION

Ce système de sécurité peut être réinitialisé en déplaçant les boutons du brûleur en position d'arrêt, en fermant le réservoir de propane et en déconnectant le régulateur du réservoir de propane. Attendez cinq minutes pour permettre à la pression de se dissiper, puis rebranchez le détendeur au réservoir de propane et ouvrez lentement le réservoir (cela devrait prendre 30 secondes pour ouvrir un demi-tour). Allumez votre plaque chauffante comme décrit dans le chapitre Entretien et maintenance.

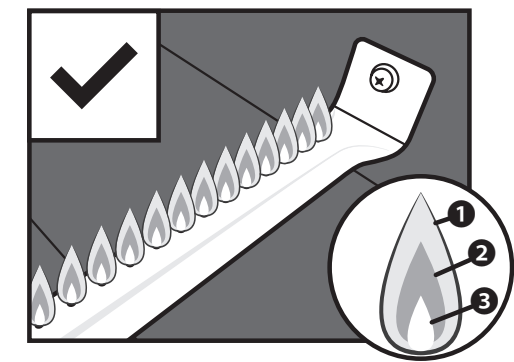
Remplissez ou remplacez le réservoir de propane.

Nettoyez le brûleur, les jets et le tuyau de gaz. (Veuillez consulter la section Nettoyage de votre plaque chauffante du chapitre Entretien et maintenance.)

Contactez le service client pour les pièces de rechange.

MODÈLE DE FLAMME DE BRÛLEUR

Les brûleurs de votre fer sont conçus pour mélanger l'oxygène et le propane à une vitesse qui permet des flammes optimales. Si les trous, le registre d'air ou le venturi du brûleur sont bouchés, cela affectera le mélange de propane et d'air, provoquant des flammes faibles ou incohérentes, ou des flammes du registre d'air.



Les flammes saines peuvent avoir quelques scintillements de couleur jaune ①, puis de couleur bleu foncé ②, suivis d'un bleu vif par le tube du brûleur ③.

**MISE EN GARDE**

De petites variations dans la fabrication et les matières premières peuvent entraîner une légère déformation de certaines plaques. Une légère déformation disparaîtra lorsque la plaque chauffante sera chauffée en préparation de la cuisson.

NOTRE PERSONNEL DU SERVICE À LA CLIENTÈLE EST LÀ POUR VOUS AIDER!

Pour toute question concernant votre produit Blackstone, ou si vous avez besoin de pièces de rechange, veuillez enregistrer votre plaque à blackstoneproducts.com/register-griddle et contactez-nous au:

TÉLÉPHONE:
435-252-3030 ext 1

COURRIEL:
support@blackstoneproducts.com

EN LIGNE:
blackstoneproducts.com/customer-support

Nous serons heureux de répondre à vos questions concernant l'utilisation de la plaque de cuisson, les pièces de rechange ou votre garantie

Notre personnel du service à la clientèle est disponible du lundi au vendredi de 7 h à 17 h, heure normale des Rocheuses.

FAQ

Q. Quels types d'huiles de cuisson puis-je utiliser pour apprêter ma plaque de cuisson?

R. Nous recommandons les huiles suivantes pour l'apprêtage : huile d'olive, huile végétale, huile de canola, huile de coco, huile de graines de lin et huile de sésame. (Veuillez vous référer à la section Instructions d'assaisonnement pour plaque chauffante du chapitre Entretien et maintenance.)

Q. Puis-je utiliser un détergent liquide pour nettoyer ma plaque de cuisson?

R. Les détergents liquides supprimeront l'apprêtage de la plaque de cuisson et ne doivent pas être utilisés une fois la plaque traitée. Pour les endroits difficiles, utilisez du sel de table et de l'eau chaude et enduisez toujours la plaque d'une fine couche d'huile une fois le nettoyage terminé. (Pour les instructions de nettoyage de la plaque chauffante, veuillez consulter la section Nettoyage de votre plaque chauffante du chapitre Entretien et maintenance.)

Q. Pourquoi la surface de ma plaque de cuisson a-t-elle un aspect terne et sec au lieu d'être brillante et noire?

R. L'apprêtage est un processus continu. Plus vous utiliserez votre plaque de cuisson, plus elle deviendra brillante, noire et antiadhésive au fil du temps.

Q. Puis-je découper les aliments directement sur la plaque de cuisson?

R. Oui, vous pouvez. Découper les aliments sur le dessus de la plaque de cuisson ne l'endommagera pas.

Q : Quel type de pile l'allumeur nécessite-t-il?

R. Si de la rouille apparaît sur la surface de la plaque de cuisson, frottez-la avec une laine d'acier ou un papier sablé à grain réduit, puis apprêtez de nouveau la surface. ([youtube.com/watch?v=thPE2lgnSil](https://www.youtube.com/watch?v=thPE2lgnSil)) Veillez à toujours sécher complètement votre plaque de cuisson avant de la stocker, et gardez-la à l'abri de la pluie et des gicleurs. Il est également important de garder votre plaque de cuisson couverte. (Pour les techniques de stockage appropriées, veuillez vous référer à la section Entretien général du chapitre Entretien et maintenance.)

LES CLIENTS VIVANT DANS DES CLIMATS HUMIDES OU CÔTIERS PEUVENT NÉCESSITER UN APPRÊTAGE PLUS FRÉQUENT ET L'UTILISATION D'HUILES DE CUISSON PLUS FORTES POUR ÉVITER LA ROUILLE ET LA CORROSION.

Pour plus d'informations, visitez blackstoneproducts.com/faq

GARANTIE D'UN AN DE NORTH ATLANTIC IMPORTS LLC

North Atlantic Imports, le fabricant, garantira toutes les pièces, la fabrication et les finitions pendant un an. Le fabricant aura le choix de réparer ou de remplacer l'un des éléments ci-dessus. Toutes les garanties sont limitées à l'acheteur d'origine uniquement. Cette garantie ne couvre pas la responsabilité de North Atlantic Imports, de ses agents ou de ses employés, pour les dommages indirects ou consécutifs résultant d'une violation de garantie. L'acheteur doit suivre les instructions d'utilisation du fabricant.

Le fabricant n'est en aucun cas responsable des dommages résultant de l'incapacité à utiliser correctement l'appareil de cuisson. Il incombe à l'acheteur d'établir la période de garantie en vérifiant la date d'achat d'origine à l'aide du reçu de vente.

Pour une explication plus approfondie de la garantie, lisez le message ci-dessous:

North Atlantic Imports LLC garantit au propriétaire que le produit couvert par le présent contrat est exempt de vices de matériau et de fabrication dans les conditions normales d'utilisation et de service auxquels il est destiné si, et seulement si, il a été utilisé conformément aux instructions de North Atlantic Imports LLC, et exclusivement dans le cadre d'un usage domestique et non d'une utilisation au sein d'un club privé ou public, dans un cadre institutionnel ou commercial.

En vertu de cette garantie, l'obligation de North Atlantic Imports LLC est limitée au remplacement ou à la réparation gratuite de toute pièce ou partie de l'appareil qui pourrait, à la satisfaction de North Atlantic Imports LLC, se révéler défectueuse dans les conditions normales d'utilisation et de service dans un cadre domestique, dans les délais indiqués à partir de la date d'achat; pendant un an à partir de l'achat, toutes les pièces, la fabrication et la finition. Si le non-respect de cette garantie devient apparent au cours des périodes de garantie applicables indiquées ci-dessus, l'acheteur d'origine doit avertir North Atlantic Imports LLC de toute violation de la garantie pendant la période de garantie applicable.

North Atlantic Imports LLC s'engage, après avis émanant de l'acheteur d'origine et en cas de respect de ces instructions, à corriger une telle non-conformité en réparant ou en remplaçant la ou les pièce(s) défectueuse(s). Une correction telle qu'indiquée ci-dessus respecte toutes les obligations de North Atlantic Imports LLC en ce qui concerne la qualité du produit.

North Atlantic Imports LLC ne garantit pas que cet appareil respecte les exigences de tout code de sécurité de tout État, de toute municipalité ou de toute autre juridiction, et l'acheteur d'origine assume tous les risques et la responsabilité résultant de son utilisation, que celle-ci soit en conformité avec les instructions de North Atlantic Imports Instructions LLC ou non.

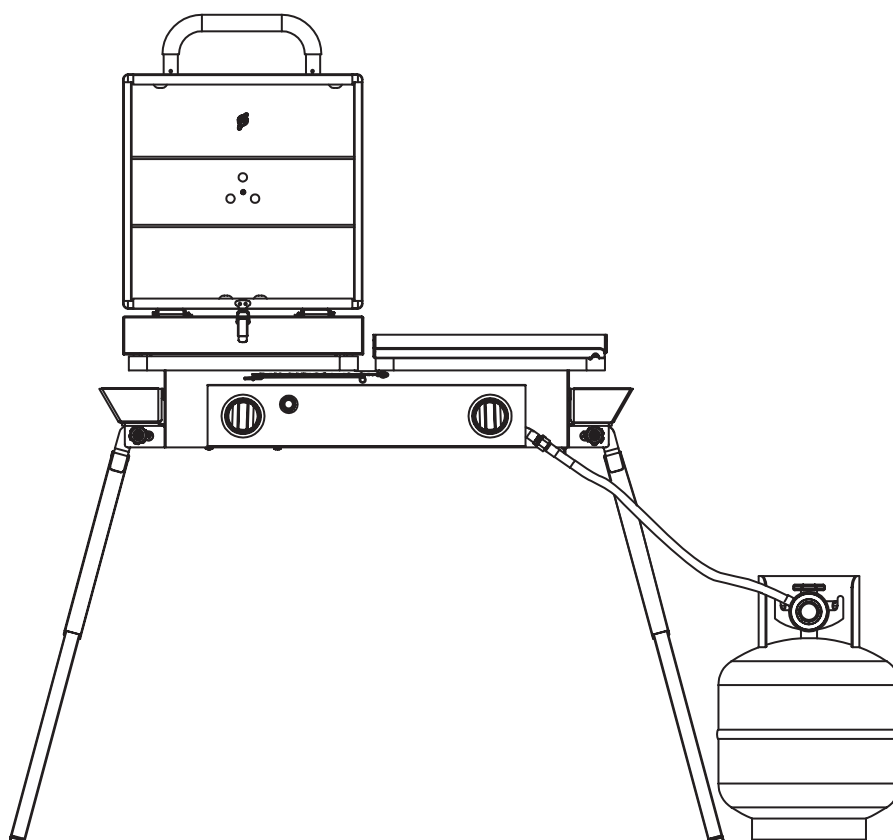
Cette garantie ne couvre pas et est destinée à exclure toute responsabilité de la part de North Atlantic, de ses agents, préposés ou employés, que ce soit en vertu de la présente garantie ou implicitement par la loi pour tout dommage indirect ou consécutif à une violation de la garantie. L'acheteur doit établir toutes les périodes de garantie applicables conformément à la présente garantie en vérifiant la date d'achat d'origine en fournissant le reçu daté. Cette garantie ne s'applique pas à ce produit ou à tout élément de celui-ci ayant été impliqué dans un accident, une négligence, une altération, un usage abusif ou inadéquat, ou ayant été réparé ou modifié sans autorisation écrite de l'atelier de North Atlantic Imports LLC.

North Atlantic Imports LLC n'offre aucune garantie concernant les accessoires ou les pièces non fournies avec le produit. Cette garantie ne s'applique qu'à l'intérieur des frontières des États-Unis d'Amérique. Cette garantie confère à l'acheteur d'origine des droits spécifiques, et celui-ci peut également disposer d'autres droits, qui varient d'un État à un autre.

TAILGATER COMBO

Modelo 1555

CUMPLE CON ANSI Z21.89-2017/ CERTIFICADO
A CSA 1.18-2017 ELECTRODOMÉSTICOS PARA
COCINAR AL AIRE LIBRE.





LLAVE DE ALERTA DE SEGURIDAD

Lea y siga todos los avisos que se encuentran en el manual.

PELIGRO

Indica una situación de peligro inminente que, si no se evita, puede causar la muerte o lesiones graves.

ADVERTENCIA

Indica la posibilidad de lesiones corporales graves si no se siguen las instrucciones.

PRECAUCIÓN

Indica una situación potencialmente peligrosa que, si no se evita, puede resultar en una lesión moderada.

TAILGATER COMBO

Manual del propietario

Es responsabilidad del consumidor asegurarse de que la unidad esté correctamente ensamblada, instalada y mantenida. El incumplimiento de las instrucciones de este manual puede provocar lesiones corporales y / o daños a la propiedad.

Lea atentamente este manual antes de la instalación. Guarde este manual para realizar futuras consultas.

CONTENIDO

- 01. REGISTRE SU PRODUCTO..... 01**
- 02. POR SU SEGURIDAD 02**
 - Sección 01. Seguridad general 02
 - Sección 02. Instrucciones de seguridad de la plancha..... 04
- 03. GUÍA DE MONTAJE 05**
- 04. CUIDADO Y MANTENIMIENTO..... 10**
 - Sección 01. Cuidado general 10
 - Sección 02. Instrucciones de curación de la plancha 12
 - Sección 03. Limpieza del conjunto del quemador 14
 - Sección 04. Limpiando su plancha..... 16
- 05. CARBURANTE | PROPANO – CILINDRO DE 20 LB..... 18**
 - Sección 01. Cilindros de propano líquido de 20 lb..... 18
 - Sección 02. Conexión y remoción..... 21
 - Sección 03. Instrucciones de prueba de fugas 23
- 06. ENCENDIDO | BATERÍA..... 24**
- 07. SOLUCIÓN DE PROBLEMAS..... 25**
 - Sección 01. Solución de problemas de encendido batería..... 25
 - Sección 02. Flujo de gas de la plancha..... 26
- 08. PREGUNTAS FRECUENTES 28**
- 09. GARANTÍA..... 29**



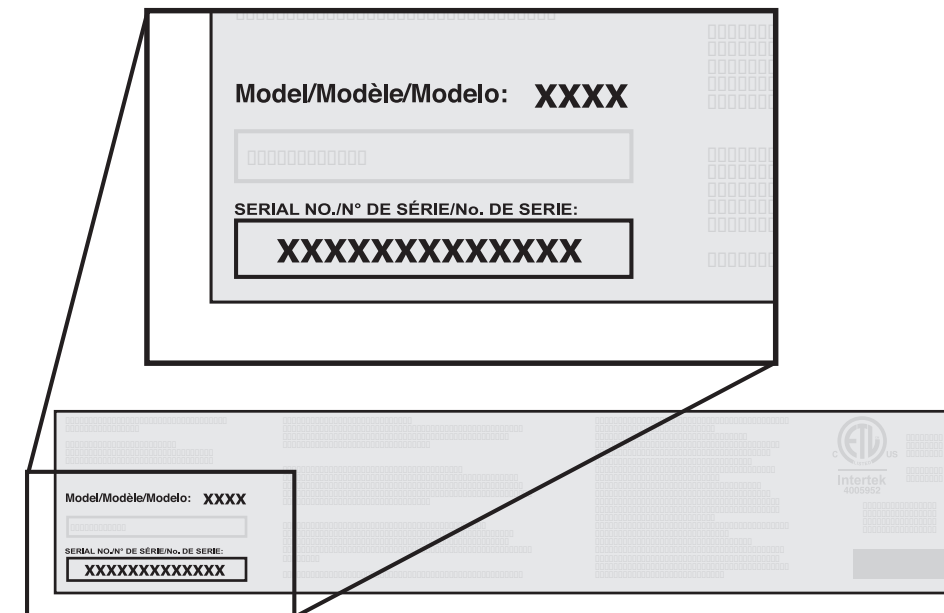
REGISTRE SU PRODUCTO

El registro permite a nuestros Representantes de Servicio al Cliente brindar asistencia rápidamente con su producto Blackstone si es necesario.

La garantía de 1 año de North Atlantic Imports LLC cubre piezas de repuesto hasta un año después de la fecha de compra. (Consulte el capítulo Garantía para obtener más información). Para habilitar esta garantía, deberá proporcionar:

- Prueba de compra / recibo / detalles del pedido
- El número de serie de su producto Blackstone
- El número de modelo de su producto Blackstone

Los números de serie y modelo de su producto Blackstone se pueden encontrar en la etiqueta de origen de su plancha. (La etiqueta de origen es una pegatina plateada grande que se encuentra en el cuerpo de su electrodoméstico).



Número de Modelo _____

Número de Serie _____

Fecha de Compra _____

Instalador / Ensamblador:
Dé estas instrucciones al consumidor.

Consumidor:
Guarde este manual para futuras referencias.

Para registrar su producto Blackstone, vaya a **blackstoneproducts.com/register-griddle**

**⚠ PELIGRO****SI SE DETECTA GAS:**

1. Apague el gas que se suministra al aparato.
2. Extinga cualquier llama abierta; no opere ningún aparato eléctrico.
3. Ventile el área.
4. Si el olor continúa, manténgase alejado del aparato e inmediatamente llame al proveedor de gas o al departamento de bomberos.

⚠ PELIGRO

¡Las unidades son solo para usar en exteriores!

⚠ ADVERTENCIA

No almacene ni use gasolina u otros líquidos o vapores inflamables cerca de este o cualquier otro aparato.

⚠ ADVERTENCIA

Este producto puede exponerlo a productos químicos, incluidos los ftalatos (DEHP), que el estado de California sabe que causan cáncer. Para obtener más información, visite www.P65Warnings.ca.gov.

POR SU SEGURIDAD

Antes de continuar, asegúrese de comprender la sección POR SU SEGURIDAD de este manual. Se pueden producir incendios o explosiones peligrosas si se ignoran las instrucciones.

Sección 01 SEGURIDAD GENERAL

PRECAUCIONES

- No opere este aparato a menos de 86.4 cm (36") de cualquier construcción combustible, incluyendo paredes y techos.
- No utilice este aparato bajo superficies combustibles elevadas.
- Cuando no esté en uso, apague el aparato cerrando el cilindro de LP.
- Si el regulador falla en la unidad, debe reemplazarse con un modelo aprobado por Blackstone y solo debe ser reemplazado por un distribuidor autorizado con licencia profesional. De lo contrario, se anulará la garantía.

Si no se sigue exactamente la información en las declaraciones anteriores, pueden ocurrir lesiones graves, incendios o la muerte.

PRECAUCIONES DE SEGURIDAD PARA LA INSTALACIÓN

Esta plancha tiene certificación de seguridad para su uso en los Estados Unidos y/o Canadá únicamente. No la modifique para usar en ninguna otra ubicación. La modificación resultará en un peligro para la seguridad.

Use este electrodoméstico, tal como la compró, solo con el gas LP (propano) y el conjunto de regulador/válvula suministrado.

Este electrodoméstico no debe usarse dentro de una casa rodante.

Este electrodoméstico no debe usarse en un bote o dentro de él.

La instalación del dispositivo debe cumplir con los códigos locales, o en ausencia de códigos locales, con el Código nacional de gas combustible, ANSI Z223.1/NFPA 54, el Código de instalación de gas natural y propano, CSA B149.1, o el Código de almacenamiento y manejo de propano, B149.2, o la norma para Vehículos Recreativos, ANSI A 119.2/NFPA 1192, y la Serie CSA Z240 RV, Código de Vehículos Recreativos, según corresponda.

CONSEJOS DE SEGURIDAD

- Nunca mueva este aparato mientras esté en funcionamiento o esté aún caliente.
- Use utensilios de barbacoa de mango largo y guantes para horno para protegerse contra quemaduras y salpicaduras.

Si la grasa u otro material caliente gotea del electrodoméstico sobre la válvula, manguera o regulador:

01. Apague el suministro de gas inmediatamente.
02. Determine la causa y corríjala.
03. Limpie e inspeccione la válvula, la manguera y el regulador antes de continuar.
04. Realice una prueba para detectar fugas. (Consulte la sección Instrucciones de prueba de fugas del capítulo Combustible).

Para problemas con este dispositivo, consulte el capítulo Solución de problemas.

SEGURIDAD ALIMENTICIA

La seguridad alimenticia es una parte importante de disfrutar la experiencia de cocinar al aire libre. Para mantener los alimentos a salvo de bacterias dañinas, siga estos cuatro pasos básicos:

LIMPIAR: Lávese las manos, los utensilios y las superficies con agua jabonosa caliente antes y después de manipular carne y aves crudas.

SEPARAR: Separe las carnes y aves crudas de los alimentos listos para comer para evitar la contaminación cruzada. Use un plato y utensilios limpios cuando retire los alimentos cocidos de la plancha.

COCINAR: Cocine la carne y las aves exhaustivamente para matar las bacterias. Use un termómetro para asegurar la temperatura interna adecuada de los alimentos.

FRÍO: Refrigere los alimentos preparados y las sobras a la brevedad.

Para obtener más información, visite foodsafety.gov o Canadian Partnership for Consumer Food Safety Education en línea en befoodsafesafe.ca

CÓMO DECIR SI LA CARNE ESTÁ ASADA COMPLETAMENTE

Las carnes y aves cocinadas con este aparato a menudo se doran muy rápido en el exterior.

Use un termómetro para carne para asegurarse de que los alimentos hayan alcanzado una temperatura interna segura y córtelos para verificar si hay signos visuales de cocción.

Al recalentar alimentos para llevar o carnes totalmente cocidas como hot dogs, cocine a 74 °C (165 °F), o hasta que estén al vapor.

⚠ ADVERTENCIA

NUNCA ase parcialmente la carne o las aves y termine de cocinarlas más tarde. Cocine los alimentos completamente para destruir las bacterias dañinas.

TEMPERATURAS DE COCCIÓN DE LA CARNE

**Aves de corral**

165° F or 74°C

Los jugos deben correr claros y la carne no debe ser rosa.

Hamburguesa de carne de res o de aves de corral

160° F or 71°C

Los jugos no deben ser rosados y la carne debe ser marrón en el medio.

Filetes/Chuletas De Carne De Res, Ternera y Cordero

145° F or 63°C

Asados de res, ternera y cordero

145° F or 63°C

TODOS los cortes de cerdo

160° F or 71°C

Los jugos no deben ser de color rosa..



⚠ ADVERTENCIA

Agregar una gran cantidad de alimentos fríos o congelados (o alimentos con un contenido importante de agua) a una plancha caliente puede hacer que la plancha se deforme.

Sección 02

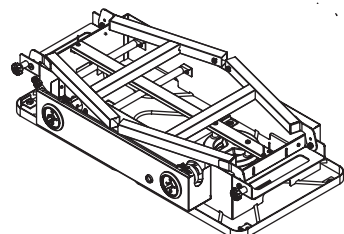
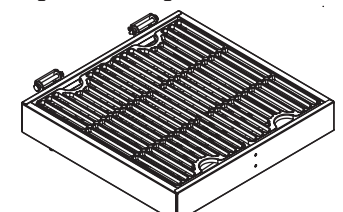
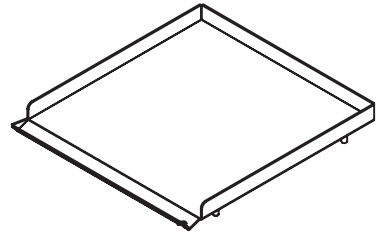
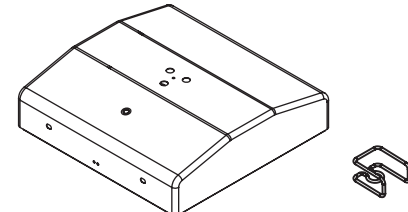
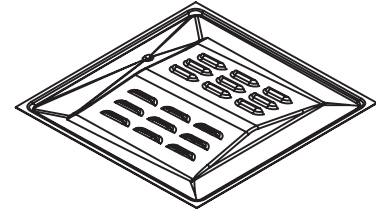
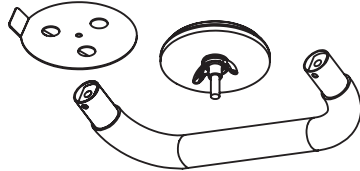
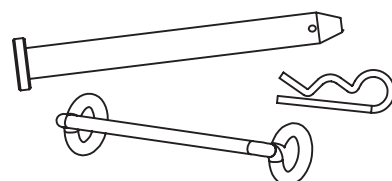
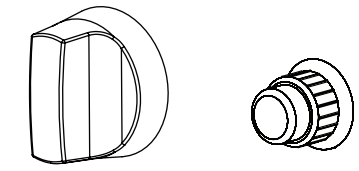
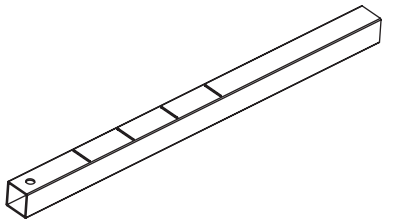
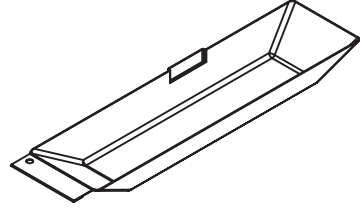
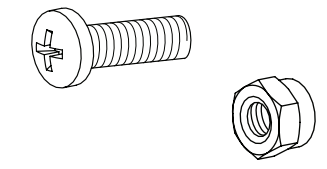
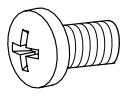
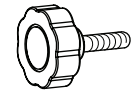
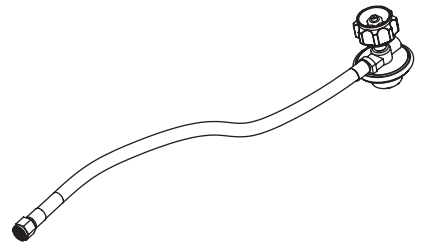
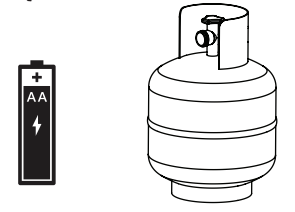
INSTRUCCIONES DE SEGURIDAD DE LA PLANCHA

- El peso máximo en el estante lateral (si está presente) es de 4.5 kg (10 lb).
- La bandeja de grasa debe retirarse y vaciarse después de cada uso.
- No retire la bandeja de grasa hasta que la plancha se haya enfriado completamente.
- No obstruya el flujo de aire de combustión y ventilación.
- Limpie la plancha a menudo, de preferencia después de cada uso. (Consulte la sección Limpieza de la plancha del capítulo Cuidado y mantenimiento).



GUÍA DE MONTAJE

LISTA DE PIEZAS ILUSTRADA

<p>01. Cuerpo (1 pieza)</p> 	<p>02. Caja de parrilla (1 pieza) y rejillas de parrilla (2 piezas)</p> 	<p>03. Tapa de la plancha (1 pieza)</p> 
<p>04. Capucha (1 pieza) y pinza para parrilla (2 piezas)</p> 	<p>05. Manipulador de llama (1 pieza)</p> 	<p>06. Salida de aire (1 pieza) y Themometer (1 pieza) y Manija (1 pieza)</p> 
<p>07. Pasador de bisagra (2 piezas) y clip de pin (2 piezas) y anillo espaciador (2 piezas)</p> 	<p>08. Botón de control (2 piezas) y botón de encendido (1 piezas)</p> 	<p>09. Extensiones de pierna (4 piezas)</p> 
<p>10. Copa de grasa (2 piezas)</p> 	<p>11. Perno M4x12 (1 pieza) y tuerca M4 (2 piezas)</p> 	<p>12. Perno M8x19 (2 piezas)</p> 
<p>13. Tornillo pequeño (4 piezas)</p> 	<p>14. Manguera Reguladora (1 pieza)</p> 	<p>NO INCLUIDO - Tanque de propano de 20 lb y bateador AA</p> 



⚠ ADVERTENCIA

El fabricante ha hecho todo lo posible para eliminar los bordes afilados. Sin embargo, debe manejar todos los componentes con cuidado para evitar lesiones accidentales.

Algunas partes pueden contener bordes afilados, especialmente como se indica en estas instrucciones. Use guantes de protección si es necesario.

⚠ ADVERTENCIA

El uso de alcohol, medicamentos recetados o sin receta puede afectar la capacidad del consumidor para ensamblar u operar el aparato de manera segura.

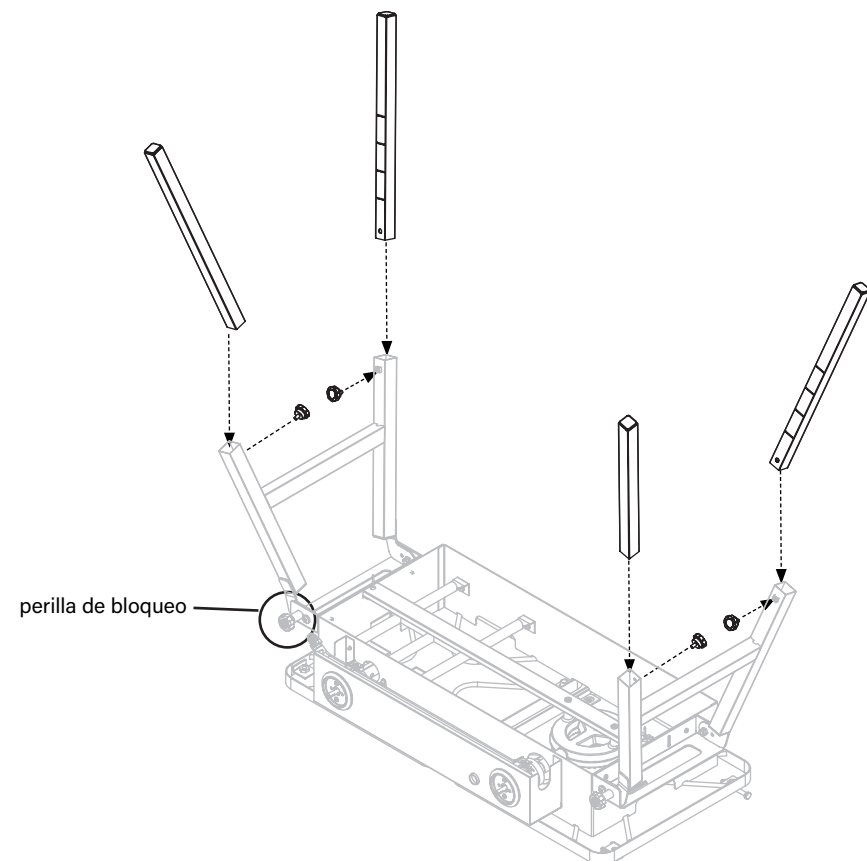
INSTRUCCIONES DE MONTAJE

Lea atentamente todas las instrucciones antes de continuar. Asegúrese de retirar todo el material de embalaje de plástico antes de ensamblarlo.

Encuentre un área grande y limpia para ensamblar su plancha. Consulte la lista de piezas y los diagramas de ensamblaje según sea necesario.

El ensamblaje de la plancha involucra componentes grandes; por lo tanto, **se aconseja que dos personas ensamblen la unidad.**

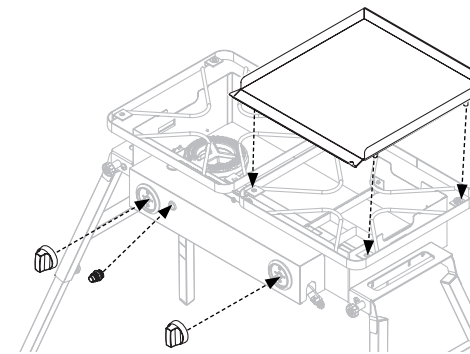
PASO 01 Coloque el cuerpo de la plancha sobre una superficie lisa y plana. Despliegue las piernas tirando de la perilla de bloqueo. Luego adjunte las cuatro (4) extensiones de pata a la altura deseada con cuatro (4) pulgares, uno en cada pata.



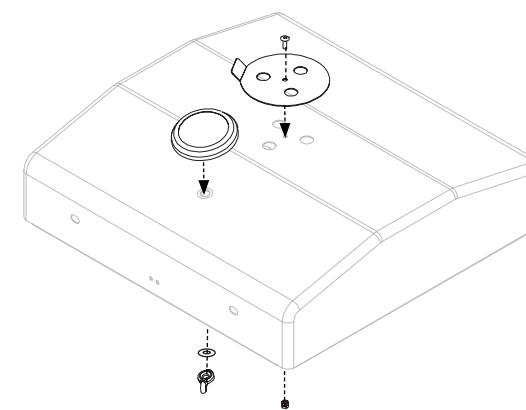
⚠ PRECAUCIÓN

Se recomiendan dos personas para el montaje de este producto.

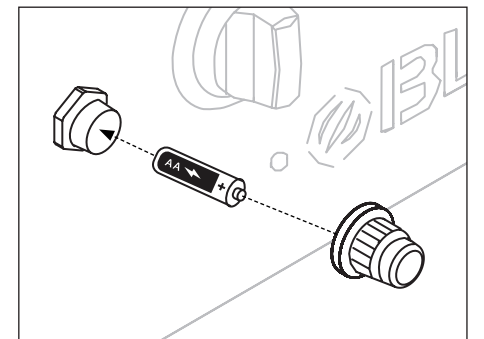
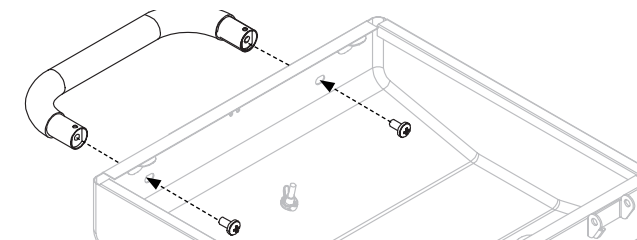
PASO 02 Coloque la plancha en posición vertical. Acople las dos (2) perillas de control presionándolas sobre las conexiones en el cuerpo de la plancha, atornille el botón de encendido y coloque la parte superior de la plancha en el lado izquierdo del cuerpo. Los cuatro pies en la parte inferior de la parte superior de la plancha encajarán en el agujero correspondiente.



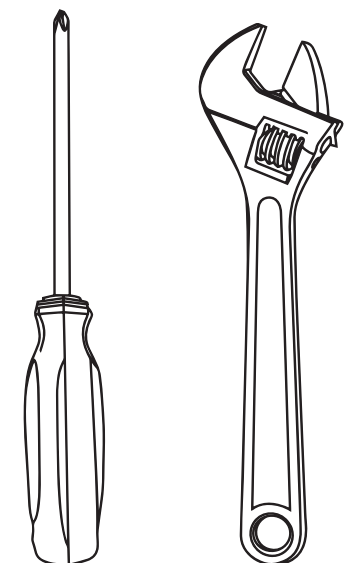
PASO 03 Agregue el termómetro usando la tuerca de mariposa incluida y la arandela atornilladas desde el interior de la campana. Conecte la ventilación de aire a la campana con un (1) perno M4X12 desde la parte superior y asegure con dos (2) tuercas M4 desde el interior.



PASO 04 Fije la manija a la campana con dos (2) pernos M8x19 desde el interior de la campana.



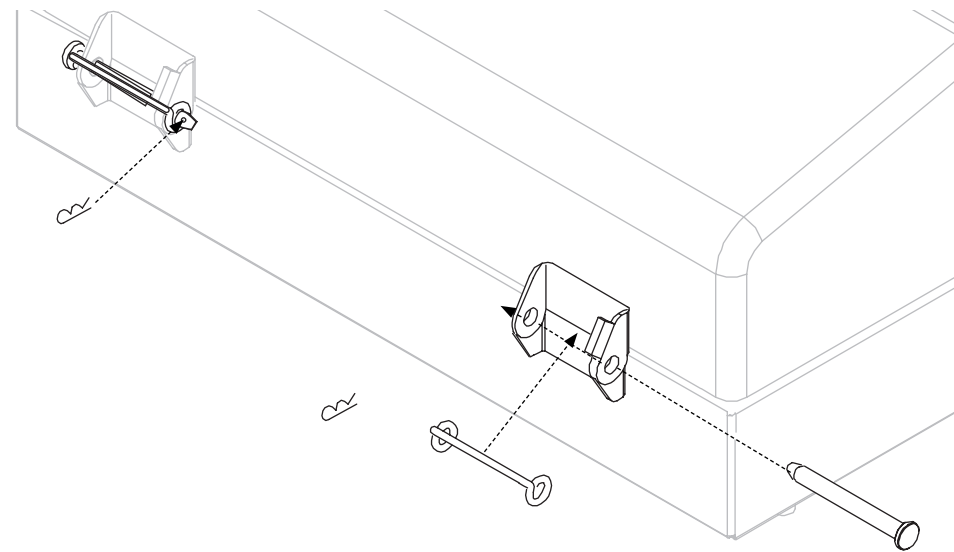
Inserte una batería AA (no incluida) en el zócalo de la batería con el terminal positivo hacia afuera y luego atornille el botón de encendido hasta que esté apretado; tenga cuidado de no apretar demasiado.



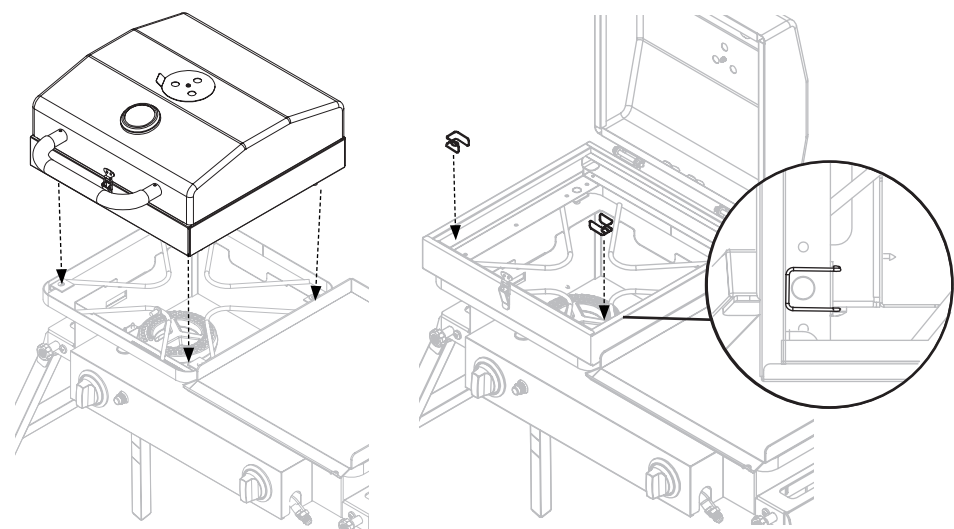
HERRAMIENTAS NECESARIAS:
destornillador Phillips y llave ajustable



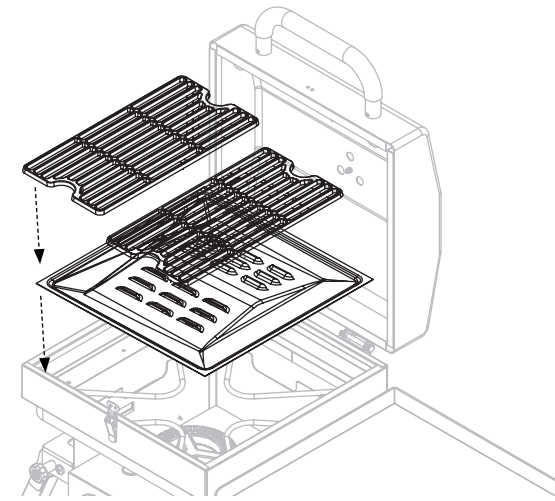
PASO 05 Asegure las bisagras insertando un (1) anillo de separación sobre el exterior de los agujeros de la bisagra. Luego, empuje un (1) pasador de bisagra a través de los agujeros en la bisagra y el anillo de separación. El pasador de la bisagra pasará a través de los agujeros de la bisagra y los agujeros en el pasador de separación. Asegure el pasador de la bisagra con un (1) clip de pasador. Repita el proceso en la otra bisagra.



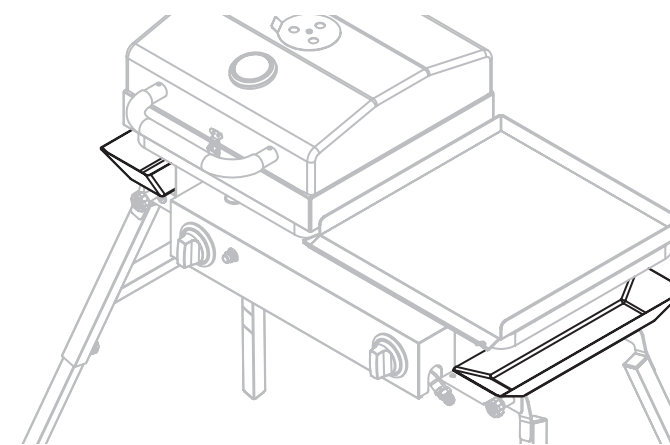
PASO 06 Coloque la caja de la parrilla ensamblada en la unidad. Luego, use dos (2) clips de la caja de la parrilla para asegurar la caja de la parrilla a la unidad.



PASO 07 Inserte el pisón de la llama y las dos (2) rejillas en la caja de la parrilla.



PASO 08 Cuelgue las copas de grasa en ambos lados de la unidad directamente debajo del escurrimiento de grasa. Conecte el tanque de propano de 20 lb (no incluido). (Consulte la sección Conexión y remoción del capítulo Combustible | Propano – Cilindro de 20 lb).



PASO 09 Vaya a la sección de Instrucciones de curación de la plancha del capítulo Cuidado y mantenimiento. ¡Disfruta cocinando al aire libre en tu Tailgater Combo!

¿NECESITA AYUDA? Registre su producto Blackstone en blackstoneproducts.com/register-griddle y comuníquese con el Servicio al cliente de Blackstone si tiene preguntas sobre piezas faltantes, ensamblaje y operación:

TELÉFONO:
435-252-3030 ext 1

CORREO ELECTRÓNICO:
support@blackstoneproducts.com

EN LÍNEA:
blackstoneproducts.com/customer-support

**⚠ PELIGRO**

Nunca opere este aparato a menos de 3.0 m (10 pies) de cualquier estructura, material combustible u otro cilindro de gas. Nunca opere este aparato a menos de 7 m (25 pies) de cualquier líquido inflamable.

⚠ ADVERTENCIA

La botella / tanque de LP debe desconectarse cuando el electrodoméstico no esté en uso y no debe almacenarse cerca de este o cualquier otro electrodoméstico.

⚠ ADVERTENCIA

Cuando no esté en uso, apague los controles de la unidad y la fuente de gas.

⚠ ADVERTENCIA

Este aparato estará caliente durante y después del uso. Use manoplas o guantes para horno con aislante para protegerse de superficies calientes o salpicaduras de líquidos al cocinar.

⚠ CAUTION

Nunca manipule piezas calientes con manos desprotegidas.

CUIDADO Y MANTENIMIENTO

Limpie regularmente su electrodoméstico entre usos, especialmente después de largos períodos de almacenamiento. Para extender la vida útil y las condiciones de la unidad, siga las mejores prácticas detalladas en este manual.

Sección 01 CUIDADO GENERAL

CONTROL DE LA VÁLVULA

Asegúrese de que el gas esté apagado en el cilindro de LP antes de revisar las válvulas. Las perillas deben estar bloqueadas en la posición OFF (Apagado).

01. Para revisar las válvulas, presione las perillas y suéltelas. Las perillas deben saltar hacia atrás.
02. Si las perillas no retroceden, reemplace el conjunto de la válvula antes de usar la plancha.
03. Gire las perillas a la posición baja y luego vuelva a la posición OFF (Apagado). Las perillas deben girar suavemente.

ACCESORIOS Y MANGUERAS

Se recomienda un control anual y el ajuste de los accesorios de metal.

Antes de cada uso, verifique si las mangueras están cortadas o desgastadas. Reemplace las mangueras dañadas antes de usar el aparato. Use solo piezas de repuesto aprobadas por Blackstone para válvula, manguera o regulador.

LIMPIEZA GENERAL

Asegúrese de que el aparato y sus componentes estén suficientemente fríos antes de limpiarlos.

- Los depósitos de grasa horneados pueden requerir el uso de un paño de plástico de limpieza abrasivo. Úselo solo en la dirección del acabado del cepillado para evitar daños.
- NO use un paño abrasivo en áreas con gráficos.
- Si se utiliza un cepillo de cerdas para limpiar las superficies de cocción, asegúrese de que no queden cerdas sueltas en las superficies de cocción antes de cocinar.

MANTENIMIENTO DE QUEMADORES

En la mayoría de las veces, quemar los residuos después de la cocción mantendrá el quemador limpio.

El quemador debe retirarse y limpiarse anualmente o cada vez que se encuentre una acumulación pesada para asegurarse de que no haya obstrucciones en los orificios o en los tubos venturi.

Use limpiador de tuberías para despejar las obstrucciones. Se puede usar un cepillo de alambre para eliminar la corrosión de las superficies del quemador. (Consulte la sección Limpieza del conjunto del quemador)

Cuando vuelva a colocar el quemador, verifique que los tubos venturi del quemador encajen en las salidas de las válvulas.

DESPUÉS DE CADA USO

PARTES PLÁSTICAS: Lave con agua tibia jabonosa y seque.

SUPERFICIES PINTADAS: Lave con detergente suave o limpiador no abrasivo y agua tibia jabonosa. Seque con un paño suave no abrasivo.

SUPERFICIES DE ACERO INOXIDABLE: Para mantener el aspecto de alta calidad del marco de la plancha, lave con detergente suave y agua tibia jabonosa. Seque con un paño suave después de cada uso.

ALMACENAMIENTO

- Para extender y mantener la vida útil y el estado de su electrodoméstico, recomendamos enfáticamente que cubra la unidad cuando la deje afuera por un período de tiempo prolongado, especialmente durante los meses de invierno.
- Cuando el cilindro de LP esté conectado al electrodoméstico, guárdelo al aire libre en un espacio bien ventilado y fuera del alcance de los niños. El cilindro de LP solo debe almacenarse en el exterior, fuera del alcance de los niños y en un lugar fresco y seco.
- Almacene el electrodoméstico en interiores SOLAMENTE si el cilindro de LP está apagado, desconectado, retirado del electrodoméstico y almacenado en el exterior.
- Cuando retire el electrodoméstico del almacenamiento, limpie el conjunto del quemador antes de encender el electrodoméstico (Consulte la sección Limpieza del conjunto del quemador).

⚠ ADVERTENCIA

Este aparato no está diseñado para ser usado como un calentador.

⚠ ADVERTENCIA

No deje el aparato desatendido. Mantenga a los niños y mascotas alejados del aparato en todo momento.

⚠ ADVERTENCIA

El uso de alcohol, medicamentos recetados o sin receta puede afectar la capacidad del consumidor para ensamblar u operar el aparato de manera segura.

⚠ PRECAUCIÓN

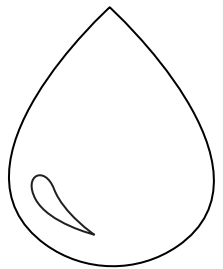
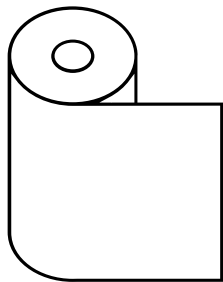
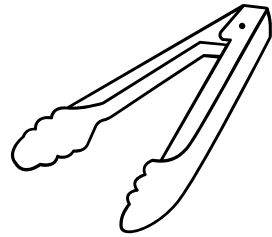
Sólo para uso residencial. No usar en una cocina comercial.

⚠ PRECAUCIÓN

No use Citrisol, limpiadores abrasivos, desengrasantes o limpiadores concentrados para planchas en piezas de plástico. **Se pueden producir daños y fallas en las piezas.**

**PRECAUCIÓN**

Pequeñas variaciones en la fabricación y las materias primas pueden causar una ligera deformación de algunas placas. Una ligera deformación desaparecerá cuando la placa caliente se caliente como preparación para cocinar.



HERRAMIENTAS NECESARIAS: Pinzas de cocina, toallas de papel y aceite de cocina

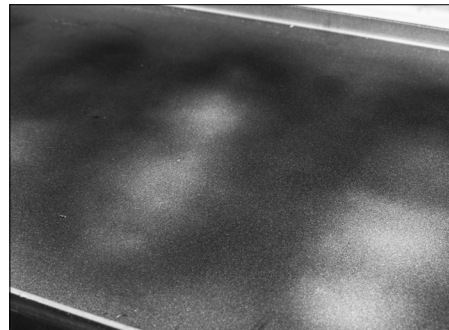
Sección 02

INSTRUCCIONES DE CURACIÓN DE LA PLANCHA

Para obtener los mejores resultados, recomendamos curar la plancha antes de cocinar en la parte superior de la plancha.



PASO 01 Asegúrese de que la parte superior de la plancha esté limpia de escombros. (Consulte la sección Limpieza de su plancha)



PASO 02 Encienda la plancha siguiendo las instrucciones de encendido (se encuentra en la unidad, o consulte Cuidado y mantenimiento > Sección 01 / Sección 02). Gire todas las perillas para ajustar los quemadores a alto. Espere aproximadamente 10-15 minutos hasta que la parte superior de la plancha comience a decolorarse.



PASO 03 Vierta una cantidad ligera de aceite de cocina en la parte superior de la plancha. Cualquier aceite de cocina servirá. La cantidad de aceite utilizado depende del tamaño de la plancha (consulte la tabla de medidas).



PASO 04 Use pinzas para cocinar o guantes resistentes al calor para sostener toallas de papel dobladas. Extienda el aceite de cocina sobre la superficie de la plancha con las toallas de papel. Asegúrese de cubrir todas los espacios de la parte superior de la plancha, incluidas las esquinas y los lados.



PASO 05 Una vez que la plancha esté cubierta con una fina capa de aceite, deje que la plancha se caliente a máxima temperatura. Se producirá humo cuando el aceite comience a adherirse a la superficie superior de la plancha, creando una superficie antiadherente.



PASO 06 Cuando la parte superior de la plancha ha dejado de echar humo y no hay una cantidad notable de brillo, repita los pasos 3-5 al menos tres veces.

Después de repetir los pasos del curado, puede que la parte superior de la plancha no parezca completamente negra. Para lograr una superficie oscura, comience a cocinar en la parte superior de su plancha. Esto creará una plancha muy bien curada.

Siga las prácticas adecuadas de almacenamiento de la plancha para mantener la superficie de cocción sazónada. (Consulte la sección Cuidado general).

TENGA EN CUENTA: la parte superior de las planchas Blackstone se tratan previamente con aceite de soja como una capa protectora. Este recubrimiento puede dejar una decoloración en la parte superior de la plancha. Esto es normal y no afectará el proceso de curado.

¿CUANTO ACEITE?**1 Cucharada de Aceite**

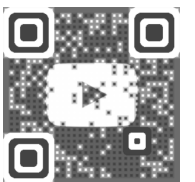
- Todas las planchas de 40.8 cm y 52.8 (17" y 22")

2 Cucharadas de Aceite

- Todas las planchas de 67.2 cm (28")

3 Cucharadas de Aceite

- Todas las planchas de 86.4 cm (36")



VER EL TUTORIAL. Escanee el código QR para ver nuestro video de la curación de la plancha en nuestro canal de YouTube o visite: youtube.com/blackstonegriddles





Sección 03

LIMPIEZA DEL CONJUNTO DEL QUEMADOR

Siga estas instrucciones para limpiar y/o reemplazar pieza del conjunto del quemador o si tiene problemas para encender la plancha. Mientras limpia, revise el quemador para detectar daños. Si encuentra grietas u orificios grandes, reemplace el quemador.

PASO 01 Apague el gas desde las perillas de control y el cilindro de LP. Retire la parte superior de la plancha.



PASO 02 Separe con cuidado y retire el quemador.



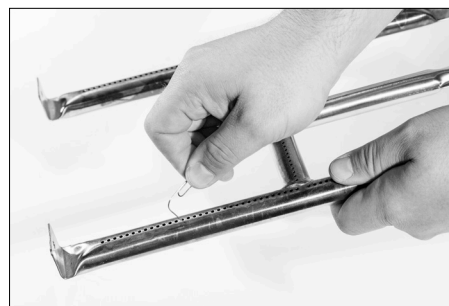
PASO 03 Pase un cepillo de botella estrecho a través de cada tubo del quemador varias veces. (No utilice cepillos de alambre)

Se incluyen los siguientes métodos adicionales:

- a) Pase un alambre rígido doblado en un pequeño gancho a través de cada tubo del quemador varias veces.
- b) Use una manguera de aire para forzar el aire dentro del tubo del quemador y por fuera de los puertos del quemador. Compruebe que el aire sopla a través de cada agujero. (Use protección para los ojos)



PASO 04 Cepille toda la superficie exterior del quemador para eliminar la suciedad.



PASO 05 Limpie los puertos bloqueados con un cable rígido, como un clip de papel abierto. Luego, reemplace con cuidado los quemadores y vuelva a colocarlos. Los tubos del quemador se deben volver a conectar con las aberturas de la válvula.

CONTROL DE LLAMA DEL QUEMADOR

01. Encienda los quemadores y gire las perillas de alto a bajo. Cuando la perilla está en alta, las llamas deben ser más grandes que cuando la perilla está en bajo.
02. Realice la verificación de la llama del quemador mirando debajo de la parte superior de la plancha en el lado de la unidad para ver los quemadores que se encuentran debajo.
03. Siempre revise la llama del quemador antes de usar

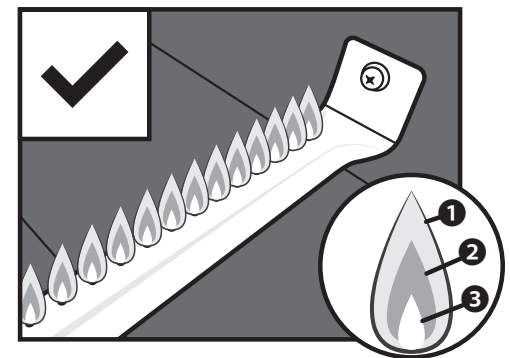
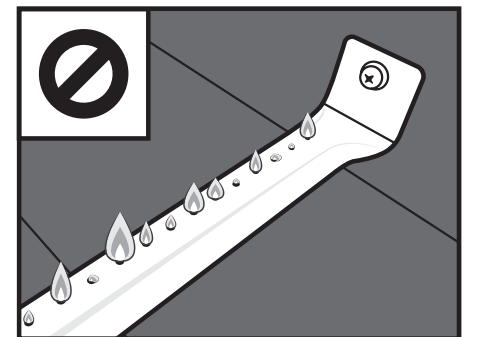
Si hay una caída repentina o un problema de baja llama, consulte el capítulo Solución de problemas.

Para obtener ayuda adicional, vea [youtube.com/blackstonegriddles](https://www.youtube.com/blackstonegriddles)

INSTRUCCIONES DE ENCENDIDO CON FÓSFOROS

Antes de comenzar, si su unidad usa Tanque de LP de 20 lb, verifique si hay fugas de gas. (Consulte la sección Instrucciones de prueba de fugas del capítulo Carburante | Propano - Cilindro de 20 lb).

01. Asegúrese de que la perilla de control esté en la posición OFF (Apagado).
02. Retire la parte superior de la plancha.
03. Encienda un fósforo (o un encendedor largo) que no mida menos de 26.4 cm (11") de largo. Coloque la llama en el lado derecho o izquierdo del quemador.
04. Presione y gire la perilla de control a la posición ALTO. Asegúrese de que el quemador se enciende y permanece encendido.



Las llamas saludables pueden tener algunos parpadeos de color amarillo 1, luego un color azul oscuro 2, seguido de un azul vibrante por el tubo del quemador 3.



**⚠ PELIGRO**

No coloque artículos inflamables en estantes laterales cerca de la plancha. Los contenedores de aerosol son particularmente peligrosos porque **pueden sobrecalentarse y provocar una explosión, incendio, lesiones personales graves o la muerte.**

⚠ ADVERTENCIA

No deje la plancha desatendida mientras precalienta o quema los residuos de alimentos. Si la plancha no se ha limpiado regularmente, se puede producir un incendio por la grasa que puede causar lesiones graves o daños materiales.

⚠ ADVERTENCIA

No coloque toallas aceitosas o grasosas cerca de la unidad de la plancha, ya que pueden quemarse espontáneamente.

Sección 04

LIMPIANDO SU PLANCHA**ALMACENAR SU PARRILLA**

Siga estos sencillos pasos de limpieza para garantizar un rendimiento óptimo y la longevidad de la Plancha Blackstone.

Cuando proteja la plancha con una cubierta suave, use el método de “carpa” para evitar que el agua se acumule en la parte superior de la plancha. Formar una “tienda” implica colocar un objeto (un tazón, una pelota de tenis o una tubería de PVC) debajo de la cubierta suave en el centro de la plancha para permitir que el agua se deslice. La formación de la “tienda” ayuda a prevenir la oxidación.

LA PRIMERA LIMPIEZA**SUPERFICIE DE COCCIÓN DE LA PLANCHA:**

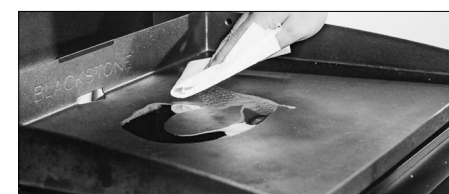
Las planchas Blackstone están pretratadas con aceite de cocina para evitar la oxidación y daños durante el envío. Por primera vez, lave la plancha con agua caliente y jabón.

ESTA ES LA ÚNICA VEZ QUE DEBE USAR JABÓN EN LA SUPERFICIE DE COCCIÓN DE LA PLANCHA.

Enjuague y seque completamente. Continúe con las instrucciones de curado. (Consulte la sección de Instrucciones curación de la plancha)

APAGADO DE LA PLANCHA

Gire todas las perillas a la posición OFF (Apagado). Apague el tanque de LP girando el volante OPD en sentido horario hasta que se detenga por completo.

LIMPIEZA DE LA SUPERFICIE DE COCCIÓN DE LA PLANCHA

PASO 01 Para limpiar la plancha después de cada uso, enfríe la plancha a una temperatura inferior a 149 °C (300 °F). Raspe los restos de comida con una espátula o un raspador de metal recto.

PASO 02 Limpie la superficie de la plancha con una toalla de papel.

PASO 03 Divida la superficie de la plancha en secciones de aproximadamente 14 cm (6") (ancho de la herramienta raspadora). Aplique agua en la primera sección con una botella de agua y luego raspe el agua y los residuos hacia la trampa de grasa. Pase a la siguiente sección de 14 cm (6") y repita.

NO USE MÁS DE DOS CUCHARADAS DE AGUA POR VEZ.

Se puede usar 1/4 taza de sal de mesa para pulir los residuos de alimentos pegados.

PASO 04 Limpiar de nuevo con una toalla de papel y deje secar completamente.

PASO 05 Aplique una fina capa de aceite de cocina para mantener el curado.

⚠ ADVERTENCIA

NUNCA APLIQUE AGUA FRÍA EN TODA LA SUPERFICIE DE UNA PLANCHA CALIENTE DE UNA VEZ. Esto puede causar deformaciones.

⚠ PRECAUCIÓN

NO UTILICE JABON EN LA SUPERFICIE DE COCCIÓN DE LA PLANCHA. Esto destruirá el curado de la plancha.

¿NECESITA AYUDA? Registre su producto Blackstone en blackstoneproducts.com/register-griddle y comuníquese con el Servicio al cliente de Blackstone si tiene preguntas sobre piezas faltantes, ensamblaje y operación:

TELÉFONO:
435-252-3030 ext 1

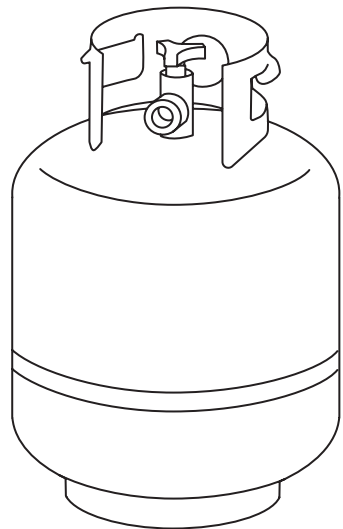
CORREO ELECTRÓNICO:
support@blackstoneproducts.com

EN LÍNEA:
blackstoneproducts.com/customer-support

**⚠ ADVERTENCIA**

Los combustibles utilizados en los artefactos de gas propano licuado y los productos de la combustión de dichos combustibles pueden exponerlo a sustancias químicas, incluido el benceno, que el Estado de California considera que causa cáncer y causa defectos de nacimiento u otros daños reproductivos.

Para obtener más información, vaya a www.P65Warnings.ca.gov.



CARBURANTE | PROPANO - CILINDRO DE 20 LB

Sección 01 CILINDROS DE PROPANO LÍQUIDO DE 20 LB

LP (GAS DE PETRÓLEO LICUADO)

El gas LP no es tóxico, es inodoro e incoloro cuando se produce. Por seguridad y para una fácil detección, al gas LP se le ha dado un olor similar al del repollo podrido.

El gas LP es altamente inflamable y puede encenderse inesperadamente cuando se mezcla con el aire.

REQUISITOS DEL CILINDRO DE PROPANO LÍQUIDO DE 20 LB

- Asegúrese de que los cilindros tengan una Certificación DOT y que hayan sido probados por un proveedor de gas LP dentro de los cinco años de uso.
- Todos los sistemas de suministro por tanques de LP deben incluir un cuello para proteger la válvula del cilindro.

- Use solo un cilindro de 43.2 cm x 28.8 cm (18 x 12 pulgadas), de 20 lb de LP.
- El cilindro debe estar construido y marcado de acuerdo con las especificaciones para LP: Cilindros de gas del Departamento de Transporte (D.O.T.) de los Estados Unidos o la Norma Nacional de Canadá, CAN/CSA-B339, Cilindros, Esferas y Tubos o Transporte de Mercancías Peligrosas; y la Comisión, según corresponda.

REQUISITOS DEL CILINDRO DE PROPANO LÍQUIDO DE CANADÁ

El cilindro de gas LP debe construirse y marcarse de acuerdo con las especificaciones de los cilindros de gas LP, T.C.



TANQUE DE LP DE 20 LB

El tanque de LP de 20 lb. que se utiliza con su plancha debe cumplir con los siguientes requisitos:

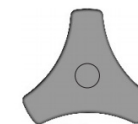
Los tanques de LP deben construirse y marcarse de acuerdo con las especificaciones para tanques de LP del Departamento de Transporte de los Estados Unidos (DOT) o para Canadá, CAN/CSA-B339, tanques, esferas y tubos para el transporte de mercancías peligrosas. Transporte Canadá (TC).

Busque la marca en el cuello del tanque.

La válvula del tanque de LP debe tener:

- Salida tipo 1 compatible con el regulador del aparato.
- Válvula de seguridad.
- Dispositivo de protección de sobrellenado (OPD) listado por UL. Esta característica de seguridad OPD se identifica mediante un exclusivo volante triangular. Utilice únicamente tanques de LP equipados con este tipo de válvula.

Volante OPD



- El tanque de LP debe estar dispuesto para la extracción de vapor e incluir un cuello para proteger la válvula del tanque de LP.

Mantenga siempre los tanques de LP nuevos e intercambiados en posición vertical durante el uso, el tránsito o el almacenamiento.

LLENADO DE TANQUE DE LP

Utilice únicamente distribuidores autorizados y con experiencia. El distribuidor de LP debe purgar el tanque nuevo antes de llenar.

El volumen de propano en el tanque variará según la temperatura. Un regulador helado indica un llenado excesivo de gas. Cierre inmediatamente la válvula del tanque de LP y llame al distribuidor local de gas LP para obtener ayuda.

No libere gas propano líquido (LP) a la atmósfera.

Para retirar el gas del tanque de LP, comuníquese con un distribuidor de LP certificado o el departamento de bomberos local para obtener ayuda.



⚠ PELIGRO

- **NUNCA** almacene un cilindro/ botella de LP de repuesto debajo o cerca del aparato o en un área cerrada.
- **NUNCA** llene un cilindro/ botella de LP más del 80% de su capacidad.
- **NO** almacene un tanque/ botella de LP en un área donde los niños jueguen.
- **NUNCA** deje un tanque/ botella de LP dentro de un vehículo que pueda sobrecalentarse con el sol.

Si no se sigue exactamente la información anterior, puede ocurrir un incendio que cause la muerte o lesiones graves.

Un cilindro sobrecargado o almacenado incorrectamente es un peligro debido a la posible liberación de gas de la válvula de seguridad. Esto podría causar un incendio intenso con riesgo de daños a la propiedad, lesiones graves o la muerte.

Si ve, huele o escucha que el gas se escapa, aléjese inmediatamente del cilindro de LP y del aparato y llame al departamento de bomberos.

CAMBIO DEL TANQUE DE LP

Realice pruebas para detectar fugas de los tanques de LP nuevos y cambiados ANTES de conectarlos a la plancha.

Muchos minoristas ofrecen la opción de reemplazar los tanques de LP vacíos a través de un servicio de intercambio.

Utilice solo las empresas de cambio de buena reputación que inspeccionan, llenan con precisión, prueban y certifican sus tanques.

Cambie el tanque solo por un tanque equipado con la función de seguridad OPD.

Coloque la tapa contra el polvo en la salida de la válvula del cilindro siempre que el cilindro no esté en uso.

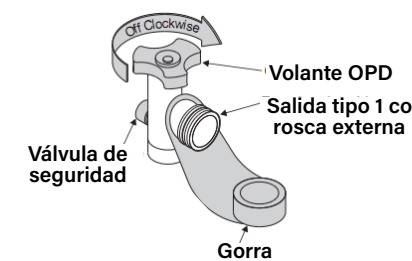
Solo instale el tipo de tapa antipolvo en la salida de la válvula del cilindro que se proporciona con la válvula del cilindro. Otros tipos de tapas o taponos pueden provocar fugas de propano.

TENGA EN CUENTA: Su distribuidor puede ayudarlo a hacer coincidir un tanque de reemplazo con su plancha.

Sección 02 CONEXIÓN Y REMOCIÓN

CONECTAR EL REGULADOR AL TANQUE DE LP DE 20 LB

01. El tanque de gas LP debe estar correctamente asegurado a la plancha. (Consulte la sección de instalación)
02. Gire todas las perillas de control a la posición Apagado.
03. Apague el tanque de LP girando el volante OPD en sentido horario hasta que se detenga por completo.
04. Retire la tapa protectora de la válvula del tanque de gas LP.



05. Sostenga el regulador e inserte la boquilla en la válvula del tanque de gas LP.



06. Apriete a mano la tuerca de acoplamiento, sujetando el regulador en línea recta (vea la figura a continuación) con la válvula del tanque de gas LP para no dañar la conexión.



07. Gire la tuerca de acoplamiento en sentido horario y apriétela hasta el tope. El regulador sellará la función de verificación posterior en la válvula del tanque de LP, lo que resultará en cierta resistencia.
08. Se requiere un giro adicional de media a tres cuartos de vuelta para completar la conexión. Apriete solo con la mano, no use herramientas.

NOTA: Si no se puede completar la conexión, desconecte el regulador y repita los pasos 5 y 6. **Si no puede completar la conexión, ¡no use este regulador!**

Llame al **435-252-3030 ext 1** para obtener piezas de reemplazo idénticas.

⚠ PELIGRO

No inserte herramientas u objetos extraños en la salida de la válvula o en la válvula de alivio de seguridad. La válvula puede dañarse y provocar una fuga. **Una fuga de propano puede provocar una explosión, incendio, lesiones personales graves o la muerte.**

Si se detecta una fuga en cualquier momento, **DETÉNGASE** y llame al departamento de bomberos. Si no puede detener una fuga de gas, cierre inmediatamente la válvula del tanque de LP y llame al proveedor de gas LP o al departamento de bomberos.

⚠ ADVERTENCIA

No inserte un tapón de transporte POL (pieza de plástico con roscas externas) en la salida de la válvula del tanque Tipo 1. Vencerá la característica de la válvula de alivio de seguridad.





⚠ ADVERTENCIA

Nunca intente conectar esta plancha al sistema de gas LP autónomo de un remolque, vehículo recreativo o autocaravana.

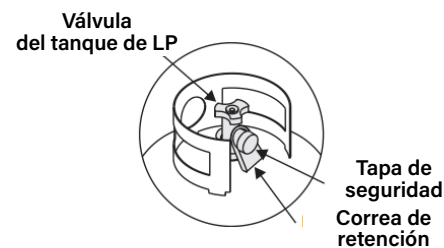
REMOCIÓN DE TANQUE DE LP DE 20 LB PARA TRANSPORTE O ALMACENAMIENTO

01. Apague todas las perillas de control y la válvula del tanque de gas LP.
02. Gire la tuerca de acoplamiento en sentido antihorario solo con la mano. No utilice herramientas para desconectar.
03. Levante el tanque de LP hacia arriba y afuera del soporte de apoyo.
04. Instale la tapa de seguridad en la válvula del tanque de gas LP.

Utilice siempre la tapa y la correa suministradas con la válvula.

Si no se usa la tapa de seguridad como se indica, se pueden producir lesiones personales graves y/o daños a la propiedad.

Un tanque de LP desconectado en almacenamiento o durante el transporte debe tener una tapa de seguridad instalada (como se muestra).



Sección 03

INSTRUCCIONES DE PRUEBA DE FUGAS

SEGURIDAD DURANTE LA PRUEBA DE FUGAS

- La prueba de fugas debe repetirse cada vez que se cambie o rellene el tanque de LP.
- No fume durante la prueba de fugas.
- No use una llama abierta para verificar si hay fugas de gas.
- Se debe realizar la prueba de detección de fugas de la plancha al aire libre en un área bien ventilada, lejos de fuentes de ignición, tales como aparatos a gas o eléctricos.
- Durante la prueba de detección de fugas, mantenga la plancha alejada de llamas o chispas.

PRUEBA DE DETECCIÓN DE FUGAS DEL TANQUE DE LP DE 20 LB

01. Use un pincel limpio y una solución de agua y jabón suave en la proporción 10/90.
02. Cepille la solución jabonosa en las áreas de unión del tanque/botella. (Indicado por flechas en la figura 01)
03. Las fugas se indican mediante burbujas en crecimiento.

VÁLVULAS DE PRUEBA DE FUGAS, MANGUERA Y REGULADOR

01. Apague todas las perillas de control de la plancha.
02. Asegúrese de que el regulador esté bien conectado al tanque de gas LP.
03. Abra completamente la válvula del tanque de LP girando el volante OPD en sentido antihorario.

Si escucha un sonido de escape, apague el gas inmediatamente. Hay una fuga importante en la conexión. Corrija antes de proceder. Llame para obtener piezas de reemplazo al **435-252-3030 ext 1**.

04. Cepille la solución jabonosa en las áreas donde se muestran las burbujas en la siguiente imagen figura 02.

Si aparecen burbujas “en crecimiento”, hay una fuga. Cierre la válvula del tanque de LP inmediatamente y vuelva a apretar las conexiones. Si no se pueden detener las fugas, **NO TRATE DE REPARARLO**. Llame para obtener piezas de repuesto al **435-252-3030 ext 1**.

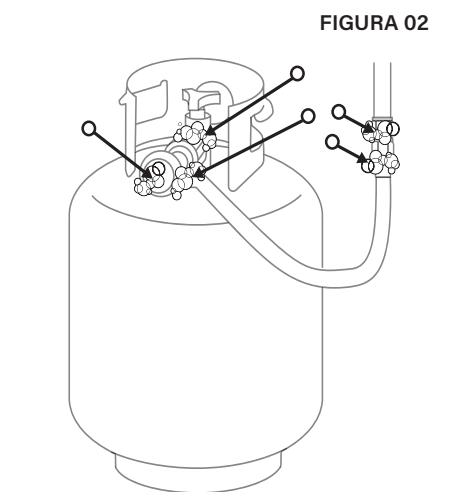
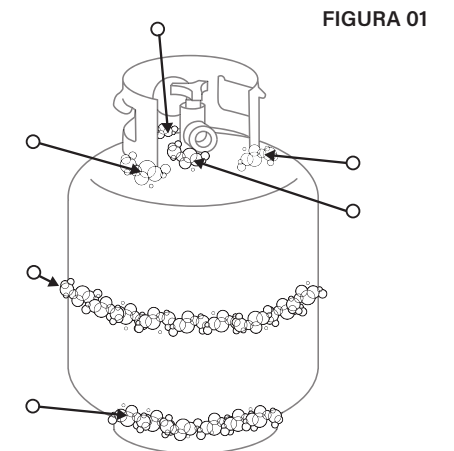
05. Siempre cierre la válvula del tanque de LP después de realizar la prueba de detección de fugas girando el volante en sentido horario.

⚠ ADVERTENCIA

Si aparecen burbujas “en crecimiento”, no utilice ni mueva el tanque de gas LP. Póngase en contacto con un proveedor de gas LP o con el departamento de bomberos.

⚠ PRECAUCIÓN

NO UTILICE AGENTES DE LIMPIEZA DEL HOGAR. Podría dañarse la válvula de gas, la manguera y los componentes del regulador.





⚠ ADVERTENCIA

No se incline sobre la plancha mientras se enciende.

⚠ ADVERTENCIA

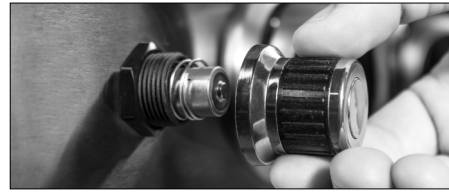
Si la ignición NO ocurre en 5 segundos, apague los controles del quemador, espere 5 minutos y repita el procedimiento de encendido.

Si el quemador no se enciende con la válvula abierta, el gas continuará saliendo del quemador y podría encenderse accidental o inadvertidamente con riesgo de lesiones.

ENCENDIDO | BATERÍA

FUNCIONAMIENTO DE PLANCHA

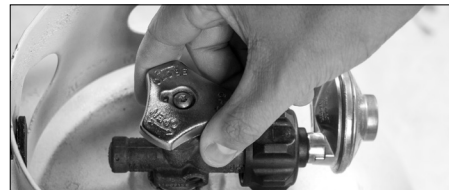
Para un encendido y funcionamiento correctos de la plancha, siga los pasos a continuación.



PASO 01 Para que el interruptor de encendido funcione correctamente, asegúrese de que la batería esté correctamente instalada



PASO 02 Apague las perillas de control del quemador de gas.



PASO 03 Abra el paso de gas en el cilindro de LP lentamente tomando 20 segundos para girar la perilla hasta la mitad.



PASO 04 Para encender, presione y gire la perilla del QUEMADOR DE ENCENDIDO a la posición MAX.



PASO 05 Presione y mantenga presionado el botón de ENCENDIDO ELECTRÓNICO hasta que se encienda el QUEMADOR DE ENCENDIDO.



PASO 06 Para encender los quemadores restantes, gire cada perilla del quemador en secuencia a la posición MAX. Comience con el quemador más cercano a la AGUJA DE ENCENDIDO.



SOLUCIÓN DE PROBLEMAS

Sección 01

SOLUCIÓN DE PROBLEMAS DE ENCENDIDO BATERÍA

SÍNTOMAS

01. El quemador no se enciende con el sistema de encendido
02. Al presionar el botón de encendido no se produce un clic

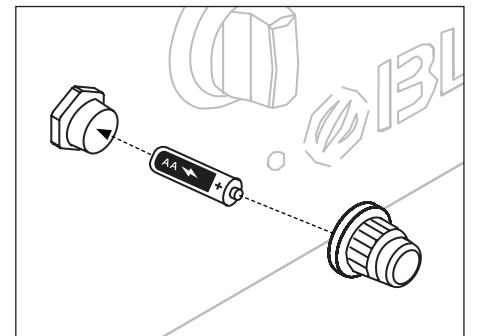
Para determinar la causa, intente encender su plancha con una cerilla. (Consulte las Instrucciones de encendido de fósforos en la sección Limpieza del conjunto del quemador del capítulo Cuidado y mantenimiento.)

Si **PUEDES** encender tu plancha con un fósforo

POSIBLES CAUSAS	SOLUCIÓN
01. Batería agotada o sin batería en unidades equipadas con un encendido eléctrico a batería.	Reemplace con una batería nueva.
02. Batería instalada incorrectamente.	Asegúrese de que la batería esté instalada en el extremo negativo primero.
03. El cable del encendedor está desalineado.	Asegúrese de que el cable del encendedor esté colocado a 1/8 "a 1/4" del tubo del quemador, colocado sobre un orificio del quemador.
04. Daño al sistema de encendido.	Póngase en contacto con el servicio al cliente para obtener piezas de repuesto.

Si **NO PUEDES** encender tu plancha con un fósforo

POSIBLES CAUSAS	SOLUCIÓN
05. Los tubos de los quemadores no reciben propano.	(Consulte la sección Instrucciones de encendido con fósforos del capítulo Solución de problemas.)

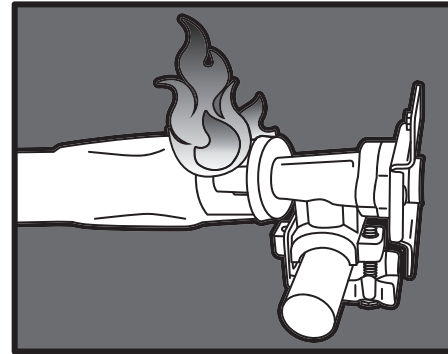


Inserte una batería AA (no incluida) en el zócalo de la batería con el terminal positivo hacia afuera y luego atornille el botón de encendido hasta que esté apretado; tenga cuidado de no apretar demasiado.



Sección 02

FLUJO DE GAS DE LA PLANCHA



SÍNTOMAS

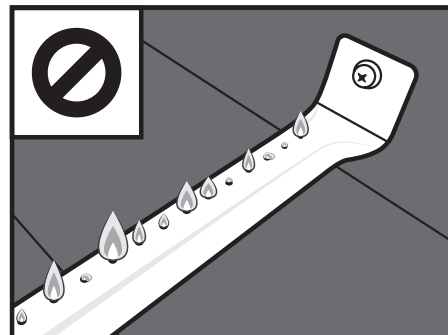
01. Una llama sale de la puerta de aire.

POSIBLES CAUSAS

01. Algo está bloqueando el venturi en el tubo del quemador. Esto no permite que el propano fluya a través del quemador, haciendo que la llama retroceda por la puerta de aire.

SOLUCIÓN

Limpie el conjunto del quemador para eliminar la obstrucción. (Consulte la sección Limpieza de la plancha del capítulo Cuidado y mantenimiento.)



SÍNTOMAS

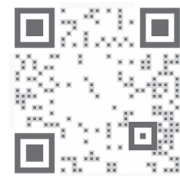
01. Las llamas de los quemadores son amarillas o irregulares.

POSIBLES CAUSAS

01. Algo está bloqueando la puerta de aire para el quemador. Esto impide que el oxígeno se mezcle correctamente con el propano para obtener llamas saludables.

SOLUCIÓN

Verifique las compuertas de aire en su quemador. Si tiene persianas de aire ajustables sobre sus compuertas de aire, asegúrese de que estén completamente abiertas. Si sus quemadores tienen protectores contra insectos, limpie cualquier telaraña, hollín o desechos del protector contra insectos. Limpie cualquier otra obstrucción de las compuertas de aire.



SOPORTE TÉCNICO. Escanee el código QR para ver más videos o visite el canal de Blackstone en YouTube en [youtube.com/blackstonegriddles](https://www.youtube.com/blackstonegriddles)



SÍNTOMAS

01. La plancha no alcanzará un alto calor o se calienta de manera desigual.
02. Las llamas del quemador comienzan con fuerza, luego caen inmediatamente a bajo incluso cuando el quemador está en posición alta.
03. La altura de la llama cae cuando se enciende un segundo quemador.
04. Las llamas no se extienden en toda la longitud del quemador, o solo se ejecutan en un lado del quemador.
05. Las llamas de los quemadores son inconsistentes.

POSIBLES CAUSAS

01. Las regulaciones de los Estados Unidos requieren que todos los reguladores de la plancha contengan un dispositivo limitador de flujo para la seguridad del consumidor. Este dispositivo mide la cantidad de propano que pasa por el regulador para garantizar que los niveles sean seguros. Si la velocidad de flujo a través del regulador es demasiado alta (un síntoma de una fuga grande), el dispositivo de limitación de flujo se disparará, restringiendo el flujo de propano para reducir la posibilidad de un incendio peligroso. Este sistema de seguridad puede dispararse accidentalmente abriendo un tanque de propano demasiado rápido o abriendo el tanque de propano cuando una perilla del quemador no está en la posición de apagado.

SOLUCIÓN

Este sistema de seguridad se puede restablecer moviendo las perillas del quemador a la posición de apagado, cerrando el tanque de propano y desconectando el regulador del tanque de propano. Espere cinco minutos para permitir que la presión se disipe, luego vuelva a conectar el regulador al tanque de propano y abra lentamente el tanque (debe tomar 30 segundos completos para abrir media vuelta). Encienda su plancha como se describe en la sección Cuidado y mantenimiento.

02. El cilindro de gas LP está vacío o bajo.
03. Obstrucciones en el quemador, chorros de gas o riel de combustible.
04. Regulador atascado en posición de seguridad.

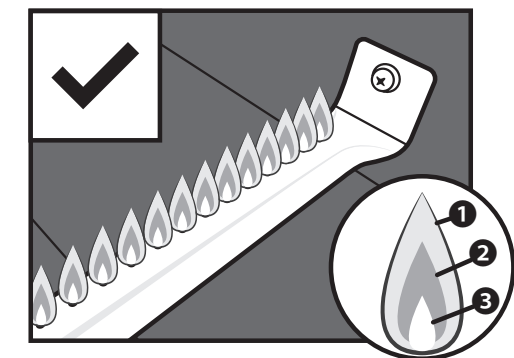
Rellene o reemplace el tanque de propano.

Limpie el quemador, los chorros y la manguera de gas. (Consulte la sección Limpieza de la plancha del capítulo Cuidado y mantenimiento.)

Póngase en contacto con el servicio al cliente para obtener piezas de repuesto.

PATRÓN DE LLAMA DE QUEMADOR

Los quemadores de su plancha están diseñados para mezclar oxígeno y propano a una velocidad que permita llamas óptimas. Si los orificios, la compuerta de aire o el venturi del quemador se bloquean, afectará la mezcla de propano y aire, causando llamas bajas o inconsistentes, o llamas provenientes de la compuerta de aire.



Las llamas saludables pueden tener algunos parpadeos de color amarillo **1**, luego un color azul oscuro **2**, seguido de un azul vibrante por el tubo del quemador **3**.

**PRECAUCIÓN**

Pequeñas variaciones en la fabricación y las materias primas pueden causar una ligera deformación de algunas placas. Una ligera deformación desaparecerá cuando la placa caliente se caliente como preparación para cocinar.

¡NUESTRO PERSONAL DE SERVICIO AL CLIENTE ESTÁ AQUÍ PARA AYUDARLO!

Si tiene preguntas sobre su producto Blackstone o si necesita piezas de repuesto, registre su plancha en blackstoneproducts.com/register-griddle y contáctenos en:

TELÉFONO:
435-252-3030 ext 1

CORREO ELECTRÓNICO:
support@blackstoneproducts.com

EN LÍNEA:
blackstoneproducts.com/customer-support

Nos complace ayudarlo con cualquier pregunta relacionada con el uso de la plancha, las piezas de repuesto o su garantía.

Puede comunicarse con nuestro personal de servicio al cliente de lunes a viernes de 7:00 a.m. a 5:00 p.m., hora estándar de la montaña.

PREGUNTAS FRECUENTES

P. ¿Qué tipos de aceites de cocina puedo usar para curar mi plancha?

R. Recomendamos los siguientes aceites para curar: aceite de oliva, aceite vegetal, aceite de canola, aceite de coco, aceite de semilla de lino y aceite de sésamo. (Consulte la sección Instrucciones de curación de la plancha del capítulo Cuidado y mantenimiento.)

P. ¿Puedo usar detergente para platos para limpiar mi plancha?

R. Los detergentes para platos que cortan la grasa borrarán el curado de la plancha y no deben utilizarse después de que se cure la plancha. Para lugares difíciles, use sal de mesa y agua caliente y siempre cubra con una capa delgada de aceite una vez que haya terminado de limpiar. (Para instrucciones de limpieza de la plancha, consulte la sección Limpieza de la plancha del capítulo Cuidado y mantenimiento.)

P. ¿Por qué la superficie de mi plancha se ve opaca y seca en lugar de brillante y negra?

R. El curado es un proceso continuo. Con el tiempo y cuanto más use la superficie de la plancha, esta se volverá más brillante, negra y antiadherente.

P. ¿Puedo cortar directamente en la parte superior de la plancha??

A: Sí, puedes. Cortar sobre la parte superior de la plancha no la dañará.

P. ¿Qué pasa si mi plancha comienza a oxidarse?

R. Si aparece óxido en la superficie de la plancha, frótela con lana de acero o papel de lija de grano bajo y vuelva a curar la superficie. (youtube.com/watch?v=thPE2lgnSil) Tenga cuidado de siempre secar completamente su plancha antes de guardarla y manténgala alejada de la lluvia y los rociadores. También es importante mantener su plancha cubierta. (Para conocer las técnicas de almacenamiento adecuadas, consulte la sección Cuidado general del capítulo Cuidado y mantenimiento.)

LOS CLIENTES EN CLIMAS HÚMEDOS O COSTEROS PUEDEN REQUERIR CURADOS MÁS FRECUENTES Y EL USO DE ACEITES DE COCCIÓN PARA EVITAR EL ÓXIDO Y LA CORROSIÓN.

Para consultar más preguntas frecuentes visite blackstoneproducts.com/faq



NORTH ATLANTIC IMPORTS LLC GARANTÍA DE 1 AÑO

North Atlantic Imports, el fabricante, garantizará por un año a partir de la compra a todas las piezas, mano de obra y acabados. Será la opción del fabricante en cuanto a si reparar o reemplazar cualquiera de los elementos anteriores. Todas las garantías están limitadas únicamente al comprador original. Esta garantía no cubre ninguna responsabilidad por parte de North Atlantic Imports, sus agentes o empleados, por cualquier daño indirecto o consecuente por incumplimiento de la garantía. El comprador debe seguir las instrucciones de uso del fabricante.

Bajo ninguna circunstancia, el fabricante es responsable de los daños causados por el hecho de no operar correctamente la estación de cocción. Es responsabilidad del comprador establecer el período de garantía al verificar la fecha de compra original con el recibo de compra original.

Para obtener una explicación más detallada de la garantía, lea a continuación:

North Atlantic Imports LLC garantiza al propietario que el producto cubierto por este acuerdo está libre de defectos en el material y la mano de obra bajo el uso y servicio normales para los cuales fue diseñado, pero solo si ha sido operado de acuerdo con las instrucciones de North Atlantic Imports LLC exclusivamente para uso doméstico, y no para fines de clubes privados o públicos, institucionales o comerciales.

La obligación de North Atlantic Imports LLC bajo esta garantía se limita a reemplazar o reparar, sin cargo alguno, cualquier parte o partes que se puedan demostrar, a satisfacción de North Atlantic Imports LLC, que son defectuosas en el uso y servicio normales en el hogar dentro de los siguientes períodos indicados de tiempo desde la fecha de compra; por un año desde la compra, todas las piezas, el acabado y la mano de obra. Si el incumplimiento de esta garantía se hace evidente durante los períodos de garantía aplicables mencionados anteriormente, el comprador original debe notificar a North Atlantic Imports LLC sobre el incumplimiento de la garantía dentro del período de garantía correspondiente.

North Atlantic Imports LLC deberá, previa notificación y cumplimiento por parte del comprador original de tales instrucciones, corregir dicha no conformidad mediante la reparación o reemplazo de la pieza o piezas defectuosas. La corrección en la forma provista anteriormente constituirá un cumplimiento de todas las obligaciones de North Atlantic Imports LLC con respecto a la calidad del producto.

North Atlantic Imports LLC no garantiza que este equipo cumpla con el requisito de ningún código de seguridad de ningún estado, municipio u otra jurisdicción, y el comprador original asume todos los riesgos y responsabilidades que resulten del uso de los mismos, ya sean utilizados de acuerdo con las

instrucciones de North Atlantic Imports LLC o de otra manera.

Esta garantía no cubre y tiene la intención de excluir cualquier responsabilidad por parte de North Atlantic a sus agentes, trabajadores o empleados, ya sea en virtud de esta garantía o de la ley implícita por cualquier daño indirecto o consecuente por incumplimiento de cualquier garantía. El comprador debe establecer todos los períodos de garantía aplicables de conformidad con esta garantía verificando la fecha de compra original al presentar el recibo de venta con fecha. Esta garantía no se aplicará a este producto ni a ninguna otra parte del mismo que haya sido objeto de accidente, negligencia, alteración, abuso o mal uso, o que haya sido reparada o alterada sin el consentimiento por escrito del North Atlantic, fuera de la fábrica de North Atlantic Imports LLC.

North Atlantic Imports LLC no ofrece ninguna garantía con respecto a los accesorios o piezas no suministrados por ellos. Esta garantía se aplicará solo dentro de los límites de los Estados Unidos de América. Esta garantía otorga al comprador original derechos específicos, y el comprador original también puede tener otros derechos, que varían de un estado a otro.

